



ELVOX Door entry: Pixel double axial button

41112

ELVOX Door entry / Universal components / Pixel

Pixel double axial button

Double axial button

Product Status

3 - Active

Minimum order quantity

1 NR

Sheets, Manuals, Documentation

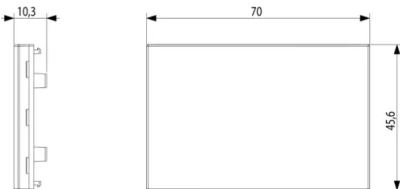
- [Multilanguage instructions sheet \(5969 kb\)](#)
- [Label printer module for entrance panels \(2191 kb\)](#)

Video

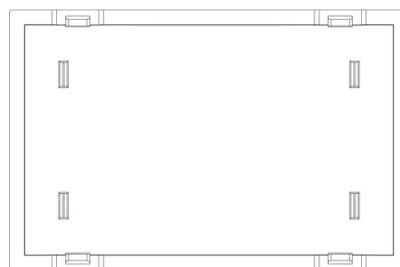
- [Pixel video door entry panel](#)
- [Retrofit with existing back boxes](#)
- [After Installation](#)
- [Interacting with the TAB Free](#)
- [Installation and configuration](#)



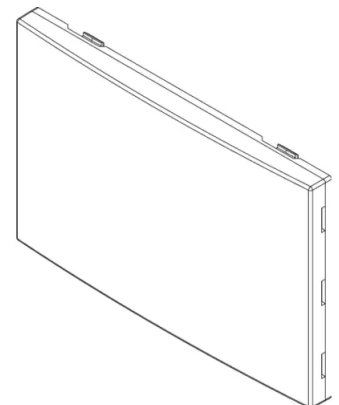
Drawings



Space view



Backside view



3D View



Technical data

- **Class group:** Communication technique
- **Class:** Mounting element for indoor station door communication
- **Material:** Other
- **Colour:** White
- **Height:** 45,60 mm
- **Depth:** 10,30 mm

Certifications

- 00. CE Marking - EU
- 43. UKCA mark - Great Britain

Packaging



8 013406 271488
Code 8013406271488
Quantity 1 NR
Dim. 7x4.6x1.3 [cm]
Weight 14 [g]



8 013406 271495
Code 8013406271495
Quantity 10 NR
Dim. 12.8x8.5x4.5 [cm]
Weight 167 [g]



8 013406 271976
Code 8013406271976
Quantity 120 NR
Dim. 28x26.5x11.5 [cm]
Weight 2,209 [g]

Legal

Vimar reserves the right to change at any time and without notice the characteristics of the products reported. Installation should be carried out by qualified staff in compliance with the current regulations regarding the installation of electrical equipment in the country where the products are installed. For the terms of use of the information on the product info sheet see [Conditions of Use](#).