



ELVOX Door entry: Pixel A/V teleloop front mod. slate grey

41105.02

ELVOX Door entry / Due Fili Plus / Pixel

Pixel A/V teleloop front mod. slate grey

Pixel audio/video front module for Due Fili Plus audio/video electronic unit 41005, for hearing aid function and teleloop symbol, slate grey

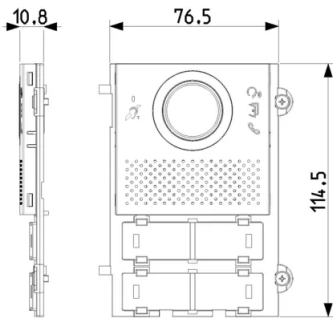
Product Status

3 - Active

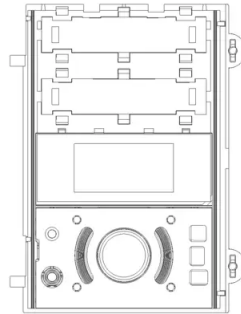
Minimum order quantity

1 NR

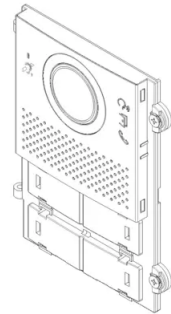
Drawings



Space view



Backside view



3D View



Technical data

- **Class group:** Communication technique
- **Class:** Mounting element for indoor station door communication
- **Material:** Aluminium

- **Colour:** Grey
- **Depth:** 10,80 mm

Certifications

- 00. CE Marking - EU



Packaging



8 0 1 3 4 0 6 3 0 6 0 3 6
Code 8013406306036
Quantity 1 NR
Dim. 12x9.1x1.9 [cm]
Weight 52.7 [g]



8 0 1 3 4 0 6 3 0 6 0 6 7
Code 8013406306067
Quantity 5 NR
Dim. 13.3x10.2x10 [cm]
Weight 315.4 [g]

Legal

Vimar reserves the right to change at any time and without notice the characteristics of the products reported. Installation should be carried out by qualified staff in compliance with the current regulations regarding the installation of electrical equipment in the country where the products are installed. For the terms of use of the information on the product info sheet see [Conditions of Use](#).