



ELVOX Door entry: Pixel A/V front module teleloop white

41105.03

ELVOX Door entry / Due Fili Plus / Pixel

Pixel A/V front module teleloop white

Pixel audio/video front module for Due Fili Plus audio/video electronic unit

41005, for hearing aid function and teleloop symbol, slate white

Product Status

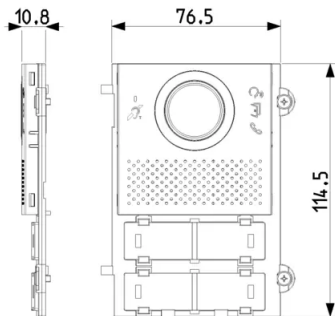
3 - Active

Minimum order quantity

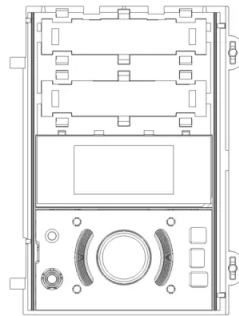
1 NR



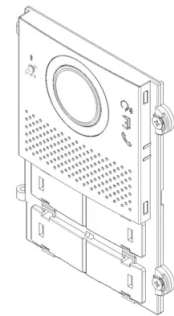
Drawings



Space view



Backside view



3D View

Technical data

- **Class group:** Communication technique
- **Class:** Mounting element for indoor station door communication
- **Material:** Aluminium

- **Colour:** White
- **Depth:** 10,80 mm

Certifications

- 00. CE Marking - EU



Packaging



8 0 1 3 4 0 6 3 0 6 0 9 8
Code 8013406306098
Quantity 1 NR
Dim. 12x9.1x1.9 [cm]
Weight 52.7 [g]



8 0 1 3 4 0 6 3 0 6 1 0 4
Code 8013406306104
Quantity 5 NR
Dim. 13.3x10.2x10 [cm]
Weight 315.4 [g]

Legal

Vimar reserves the right to change at any time and without notice the characteristics of the products reported. Installation should be carried out by qualified staff in compliance with the current regulations regarding the installation of electrical equipment in the country where the products are installed. For the terms of use of the information on the product info sheet see [Conditions of Use](#).