



ELVOX Door entry: Porter switchboard 7in DueFiliPlus black

40510

ELVOX Door entry / Due Fili Plus / Consumer unit

Porter switchboard 7in DueFiliPlus black

Porter switchboard for Due Fili Plus system, keypad and 7in LCD display, electronic directory, calls and alarms visualization by panic push button, inner units management in programmable time slots, area of competence management, black

Product Status

4 - Active

Minimum order quantity

1 NR

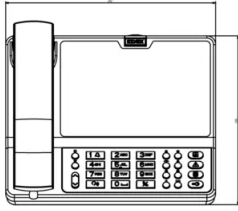
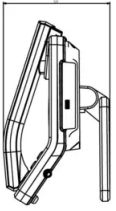
Sheets, Manuals, Documentation

- [Quick Guide \(17959 kb\)](#)
- [Manual do instalador \(18276 kb\)](#)
- [Manuel installateur \(18377 kb\)](#)
- [Manual del instalador \(18425 kb\)](#)
- [Εγχειρίδιο τεχνικού εγκατάστασης \(18565 kb\)](#)
- [Installationsanleitung \(18435 kb\)](#)
- [Instruktionsbok \(18417 kb\)](#)
- [\(18541 kb\)](#)
- [Instrukcja \(18539 kb\)](#)
- [Instructiehandleiding \(18418 kb\)](#)
- [Installer manual \(18418 kb\)](#)
- [Manuale installatore \(19012 kb\)](#)

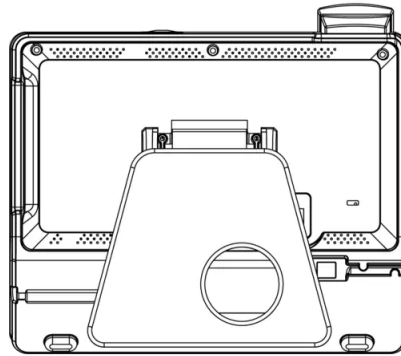




Drawings



Space view



Backside view



3D View

Technical data

- **Class group:** Communication technique
- **Class:** Intercom
- **Model:** Base station
- **Type of communication:** Full-duplex
- **Type of system:** Central
- **Single call function:** Yes
- **Group call function:** Yes
- **General call function:** No
- **Installation technique:** Bus system
- **Mounting method:** Desk type device

Certifications

- 00. CE Marking - EU
- 37. Marking - Morocco
- 43. UKCA mark - Great Britain
- 92. RoHS UAE
- 99. WEEE Directive ([download](#))

Packaging



8 013406 274113
Code 8013406274113
Quantity 1 NR
Dim. 28x26.5x11.5 [cm]
Weight 1,407 [g]

Legal

Vimar reserves the right to change at any time and without notice the characteristics of the products reported. Installation should be carried out by qualified staff in compliance with the current regulations regarding the installation of electrical equipment in the country where the products are installed. For the terms of use of the information on the product info sheet see [Conditions of Use](#).