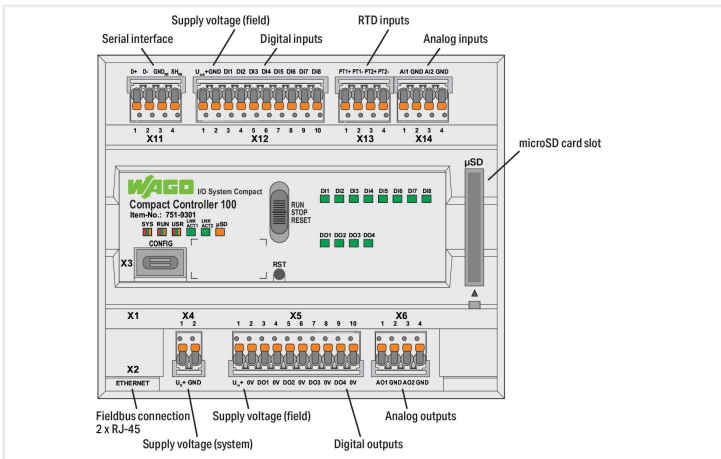
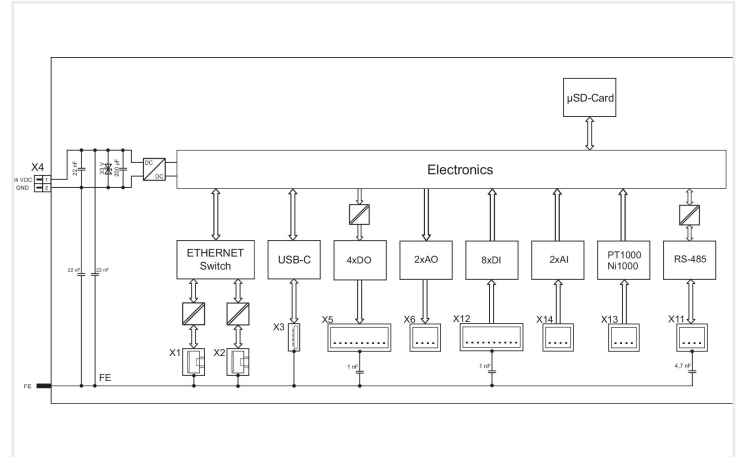


# Data sheet | Item number: 751-9301

Компактен Контролер 100; 8DI 4DO 2AI 2AO 2NI1K/PT1K 1RS485; 2 x ETHERNET; SD

<https://www.wago.com/751-9301>



## Technical data

Communication	<ul style="list-style-type: none"> <li>Modbus (TCP, UDP)</li> <li>EtherCAT® Master</li> <li>EtherNet/IP™ Adapter (slave)</li> <li>EtherNet/IP™ Scanner</li> <li>Modbus® RTU</li> <li>RS-485 interface</li> <li>MQTT</li> <li>Telecontrol protocols (requires an additional license on the device)</li> </ul>
ETHERNET protocols	<ul style="list-style-type: none"> <li>DHCP</li> <li>DNS</li> <li>NTP</li> <li>FTP</li> <li>FTPS</li> <li>SNMP</li> <li>HTTP</li> <li>HTTPS</li> <li>SSH</li> </ul>
Visualization	Web-Visu
Operating system	Real-time Linux (with RT-Preempt patch)
CPU	Cortex A7; 650 MHz
Programming languages per IEC 61131-3	<ul style="list-style-type: none"> <li>Instruction List (IL)</li> <li>Ladder Diagram (LD)</li> <li>Function Block Diagram (FBD)</li> <li>Continuous Function Chart (CFC)</li> <li>Structured Text (ST)</li> <li>Sequential Function Chart (SFC)</li> </ul>
Programming environment	<ul style="list-style-type: none"> <li>CODESYS V3.5</li> <li>Node RED</li> </ul>

## Technical data

Configuration options	CODESYS V3.5 ETHERNET Settings Web-Based Management WAGOupload WAGO Solution Builder
Baud rate (communication/fieldbus 1)	10/100 Mbit/s
Baud rate	ETHERNET: 10/100 Mbit/s
Transmission medium (communication/fieldbus)	ETHERNET: Twisted pair S-UTP; 100 Ω; Cat. 5; 100 m maximum cable length
Main memory (RAM)	512 MB
Internal memory (flash)	4096 MB
Non-volatile hardware memory	128 KB
Program memory	32 MB
Data memory	128 MB
Non-volatile software memory	128 KB
Type of memory card	microSD up to 32 GB (all guaranteed properties only valid with WAGO's memory card)
Memory card slot	Push-push mechanism
Indicators	LED (SYS, RUN), red/green: Status of system; LED (USR) red/green: User programmable status (can be used via CODESYS library); LED (SD) orange: Status of μSD; LED (LNK/ACT) green: Network connection via ports 1 ... 2; LED (DI1 ... 8) green: Status of inputs; LED (DO1 ... 4) green: Status of outputs
Controls	Operating mode switch (RUN, STOP, RESET); reset button
Supply voltage (system)	24 VDC (-15 ... +20 %); via pluggable connector ( <i>picoMAX</i> ® 3.5; Push-in CAGE CLAMP® connection)
Current consumption (system) max.	500 mA
Supply voltage (field)	24 VDC (-15 ... +20 %); via pluggable connector ( <i>picoMAX</i> ® 3.5; Push-in CAGE CLAMP® connection)
Current consumption (field) max.	2000 mA
Isolation	1250 V (DC 1 min., between system and field level)
Number of digital inputs	8
Input characteristic	Type 3 (per EN 61131-2)
Number of digital outputs	4
Output current (per channel)	500 mA (DC)
Output current	short-circuit-protected
Signal type	Voltage Resistance measurement
Signal type (voltage)	0 ... 10 VDC
Number of analog inputs	2
Resolution of analog inputs	16 bits
Number of analog outputs	2
Resolution of analog outputs	12 bits
Load impedance (voltage output)	≥ 5 kΩ
Number of measurement inputs	2
Temperature range	-60 °C ... 350 °C, PT1000, Ni1000

## Connection data

Connection technology: communication/fieldbus	Modbus TCP/UDP: 2 x RJ-45; RS-485 interface: 1 x Female connector, 4-pole; Push-in CAGE CLAMP®
Connection technology: system supply	1 x Female connector, 2-pole; Push-in CAGE CLAMP®
Connection technology: field supply	2 x Female connector, 10-pole; Push-in CAGE CLAMP®
Solid conductor	0,2 ... 1,5 mm <sup>2</sup> / 24 ... 14 AWG
Fine-stranded conductor	0,2 ... 1,5 mm <sup>2</sup> / 24 ... 14 AWG
Strip length	8 ... 9 mm / 0.31 ... 0.35 inches

### Physical data

Width	108 mm / 4.252 inches
Height	90 mm / 3.543 inches
Depth from upper-edge of DIN-rail	55 mm / 2.165 inches

### Mechanical Data

Weight	348 g
Housing material	Polycarbonate, polyamid
Conformity marking	CE; UKCA

### Environmental requirements

Ambient temperature (operation)	-25 ... +85 °C
Surrounding air temperature (storage)	-40 ... +85 °C
Protection type	IP20
Pollution degree (5)	2 per IEC 61131-2
Operating altitude	0 ... 2000 m / 0 ... 6562 ft
Relative humidity (without condensation)	95 %
Mounting position	any
Mounting type	DIN-35 rail
Vibration resistance	1g per IEC 60068-2-6
Shock resistance	15g per IEC 60068-2-27
EMC immunity to interference	per EN 61000-6-2
EMC emission of interference	per EN 61000-6-3
Fire load	0 MJ

### Commercial data

ETIM 8.0	EC000236
ETIM 7.0	EC000236
PU (SPU)	1 бр.
Country of origin	DE
GTIN	4066966192865
Customs tariff number	85371091990

### Approvals and certificates

#### Общи одобрения



Approval	Standard	Certificate name
UL Underwriters Laboratories Inc. (ORDINARY LOCATIONS)	UL 61010-2-201	E175199

## Downloads

## Documentation

## Manual

Product Manual Compact Controller 100	V 1.2.0 11.03.2022	pdf 2090.95 KB	<a href="#">↓</a>
---------------------------------------	-----------------------	-------------------	-------------------

## Bid Text

751-9301	xml 8.82 KB	<a href="#">↓</a>
751-9301	docx 29.96 KB	<a href="#">↓</a>

## CAD/CAE-Data

## CAD data

2D/3D Models 751-9301	<a href="#">↓</a>
--------------------------	-------------------

## Engineering-Software

## Configuration and Commissioning Software

WAGOupload	1.15.0.0 02.02.2022	zip 11092.25 KB	<a href="#">↓</a>
------------	------------------------	--------------------	-------------------

## Runtime Software

## Firmware

0751-9301, Compact Controller 100	V 21 SP2	zip 63196.02 KB	<a href="#">↓</a>
751-9301; Compact Controller 100	V 21 SP2	zip 62286.40 KB	<a href="#">↓</a>

## 1 Compatible products

## 1.1 Optional accessories

## 1.1.1 Female connector

## 1.1.1.1 Female connector/socket

**Item no.: 2091-1130**

1-проводен женски щепсел; бутон; Push-in CAGE CLAMP®; 1,5 mm<sup>2</sup>; Разстояние между пиновете 3,5 mm; 10-полюсен; 1,50 mm<sup>2</sup>; светло сив

**Item no.: 2091-1110/002-000**

1-проводен женски щепсел; бутон; Push-in CAGE CLAMP®; 1,5 mm<sup>2</sup>; Разстояние между пиновете 3,5 mm; 10-полюсен; Захващаща пластина, освобождаващ плъзгач; 1,50 mm<sup>2</sup>; светло сив

**Item no.: 2091-1110**

1-проводен женски щепсел; бутон; Push-in CAGE CLAMP®; 1,5 mm<sup>2</sup>; Разстояние между пиновете 3,5 mm; 10-полюсен; Захващаща пластина; 1,50 mm<sup>2</sup>; светло сив

**Item no.: 2091-1122**

1-проводен женски щепсел; бутон; Push-in CAGE CLAMP®; 1,5 mm<sup>2</sup>; Разстояние между пиновете 3,5 mm; 2-полюсен; 1,50 mm<sup>2</sup>; светло сив

### 1.1.1.1 Female connector/socket



**Item no.: 2091-1102/002-000**

1-проводен женски щепсел; бутон; Push-in CAGE CLAMP®; 1,5 mm<sup>2</sup>; Разстояние между пиновете 3,5 mm; 2-полюсен; Захващаща пластина, освобождаващ плъзгач; 1,50 mm<sup>2</sup>; светло сив



**Item no.: 2091-1102**

1-проводен женски щепсел; бутон; Push-in CAGE CLAMP®; 1,5 mm<sup>2</sup>; Разстояние между пиновете 3,5 mm; 2-полюсен; Захващаща пластина; 1,50 mm<sup>2</sup>; светло сив



**Item no.: 2091-1124**

1-проводен женски щепсел; бутон; Push-in CAGE CLAMP®; 1,5 mm<sup>2</sup>; Разстояние между пиновете 3,5 mm; 4-полюсен; 1,50 mm<sup>2</sup>; светло сив



**Item no.: 2091-1104/002-000**

1-проводен женски щепсел; бутон; Push-in CAGE CLAMP®; 1,5 mm<sup>2</sup>; Разстояние между пиновете 3,5 mm; 4-полюсен; Захващаща пластина, освобождаващ плъзгач; 1,50 mm<sup>2</sup>; светло сив

### 1.1.2 Memory card

#### 1.1.2.1 Memory card



**Item no.: 758-879/000-3102**

Карта памет SD Micro; 2 GByte



**Item no.: 758-879/000-3108**

Карта памет SD Micro; pSLC-NAND; 8 GB; Температурен диапазон: -40 to 90°C

### 1.1.3 Tool

#### 1.1.3.1 Operating tool



**Item no.: 2092-1630**

Отключващ инструмент; оранжев