

## GENERAL INFORMATION / INFORMAȚII GENERALE / INFORMAZIONI GENERALI

Code	Finishing	LED type	Power	Input voltage	Output current/voltage driver	Driver	LED flux	System flux	CCT	CRI	Optics	Weight
CM12UWW MWH	Mat white	COB CREE	1x9W	220-240V AC	200 mA / 30-42V DC	Included	830 lm	723 lm	2700K	90	38°	0,20 kg

### Description / Descriere / Descrizione

EN - Module equipped with COB LED, ultra warm white color temperature.

RO - Modul echipat cu un LED COB cu temperatură de culoare alb ultra cald.

IT - Modulo equipaggiato con LED COB, temperatura di colore bianco ultracaldo.

### Housing / Corp / Corpo

EN - Die-cast aluminum heat sink, electrostatically painted in black. Frontal ring made of die-cast aluminum, electrostatically painted in mat white.

RO - Radiator din aluminiu turnat, vopsit în câmp electrostatic, culoare neagră. Inel frontal din aluminiu turnat, vopsit în câmp electrostatic, culoare alb mat.

IT - Dissipatore in pressofusione di alluminio, verniciato a polveri, colore nero. Anello frontale in fusione di alluminio, verniciato a polveri, colore bianco opaco.

### Optics / Sistem optic / Ottica

EN - Optical system FRESNEL lens type of polycarbonate.

RO - Sistem optic tip lentilă FRESNEL din policarbonat.

IT - Sistema ottico tipo lente FRESNEL, in policarbonato.

### Electric gear / Aparataj de alimentare / Alimentazione

EN - Constant current driver supplied with the module.

RO - Alimentator în curent constant livrat împreună cu modulul.

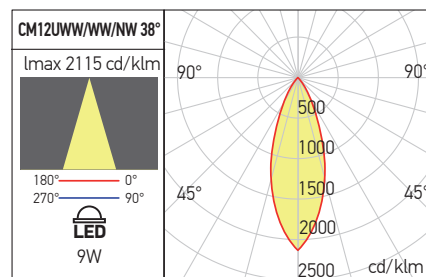
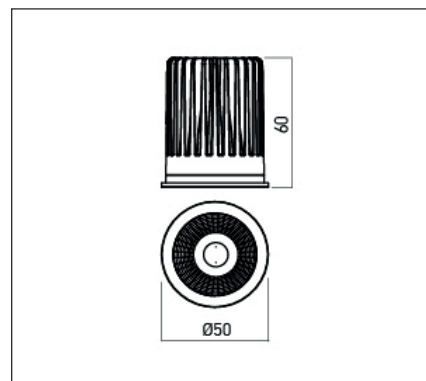
IT - Alimentatore a corrente costante fornito con il modulo.

### Range of applications / Aplicații / Campi di applicazione

EN - General interior lighting.

RO - Iluminatul general de interior.

IT - Illuminazione generale per interni.



### ErP and ecodesign data Date ErP și ecodesign Dati ErP ed ecodesign

Lighting technology used:	LED
Directional or non-directional:	DLS
Mains or non-mains:	NMLS
CLS:	No
Color tunable light source:	No
Anti-glare shield:	No
Dimmable:	No
Energy consumption (kWh/1000h):	9
Energy efficiency class:	G
Useful luminous flux (Øuse):	750 lm
Correlated color temperature:	2700K
On-mode power (Pon):	8,5W
Standby power (Psb):	≤0,50
Networked standby power (Pnet):	-
Outer dimensions (HxWxL, HxØ):	60x50 mm
CRI:	90
Chromaticity coordinates (x and y):	x=0.4630, y=0.4630
Peak luminous intensity (cd):	-
Beam angle in degrees:	38°
R9 color rendering index:	50
Survival factor:	90%
Lumen maintenance factor:	95,81%
Displacement factor (cosØ1):	0,95
McAdam ellipses:	3
Flicker metric (Pst LM):	≤1
Stroboscopic effect metric (SVM):	≤0,9
Powermax:	8,23W



Standards:

EN 62493:2015, EN 62471:2008, EN 62031:2008 + A1:2013 + A2:2015, EN 60529:1992 + A2:2013, EN 55015:2019 + A11:2020 + A1:2015, EN 61000-3-2:2019, EN 61000-3-3:2013 + A1:2019, EN 61547:2009.