



## Floodlight EcoMax G3

- Equipped with breather to prevent condensation



## Specifications

| Item Code    | Item Description             | Equivalent to (W) | Power (W) | Lumen | Efficacy (lm/W) | CCT (K) | With sensor | Degree of protection (IP) | Surge protection | Weight (kg/pc) |
|--------------|------------------------------|-------------------|-----------|-------|-----------------|---------|-------------|---------------------------|------------------|----------------|
| On-Off       |                              |                   |           |       |                 |         |             |                           |                  |                |
| 709000071900 | LEDflood-E3 Re100-10W-830-WH | Halogen 50W       | 10        | 1100  | 110             | 3000    | No          | IP66                      | 2 kV             | 0.40           |

## Accessories



543098021900  
LEDFixture-IP68-Connector-Kit-3



599000004600  
LEDStreet-SE-ExtensionCable-6m

## Packaging Information

| Item         |                                 | Box        |                         |                   |               |        |
|--------------|---------------------------------|------------|-------------------------|-------------------|---------------|--------|
| Item Code    | Item Description                | EU HS Code | Dimensions (mm) (LxWxH) | Gross Weight (kg) | EAN           | pc/box |
| 709000071900 | LEDflood-E3 Re100-10W-830-WH    | 94054239   | 330x270x220             | 0.43              | 6941497776631 | 1      |
| 543098021900 | LEDFixture-IP68-Connector-Kit-3 | 39174000   | 265x245x205             | 0.08              | 6941497708991 | 1      |
| 599000004600 | LEDStreet-SE-ExtensionCable-6m  | 85444290   | 100x60x350              | 0.68              | 6956321815370 | 1      |

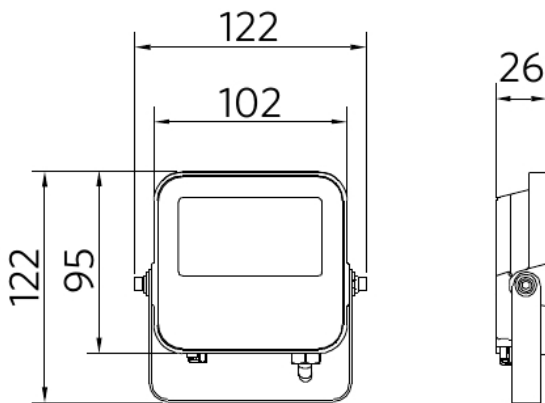
**5 YEARS WARRANTY**



| Technical Specifications     |          | Electrical Supply        |                     |
|------------------------------|----------|--------------------------|---------------------|
| Lifetime (L70)               | 50,000 h | Frequency                | 50/60 Hz            |
| Lifetime (L80)               | 30,000 h | Nominal voltage          | 220-240 V           |
| On-/Off-cycles               | 100,000  | DC input voltage         | No                  |
| Colour consistency (SDCM)    | 4        | 230V Cable length        | 1 m                 |
| Dimmability                  | On-Off   |                          |                     |
| Sensor type                  | No       | Mechanical Properties    |                     |
| Sensor technology            | No       | Housing material         | Die-casted Aluminum |
| Beam angle                   | 100°     | Optical material         | Polycarbonate       |
| Finishing                    | White    | Cover material           | Tempered glass      |
| Colour rendering index (CRI) | ≥ 80     | Coastal proof            | Yes                 |
| Impact strength              | IK07     |                          |                     |
| Protection class             | I        | Ambient Conditions       |                     |
| Risk group (EN 62471)        | RG1      | Operating temperature    | -30-+50°C           |
| With control gear            | Yes      | Operating temperature MD | n/a                 |
| Glow wire test               | 850°C    | Application temperature  | +25°C               |
| Power factor                 | ≥ 0.9    | Storage environment      | -40-+60°C           |

## Dimensional Drawing (mm)

LEDflood-E3 Re100  
10W



## Photometric Data

