



Floodlight EcoMax G3

- Equipped with breather to prevent condensation



Specifications

| Item Code | Item Description | Equivalent to (W) | Power (W) | Lumen | Efficacy (lm/W) | CCT (K) | With sensor | Degree of protection (IP) | Surge protection | Weight (kg/pc) |
|--------------------------------------|----------------------------------|-------------------|-----------|-------|-----------------|---------|-------------|---------------------------|------------------|----------------|
| Motion Detection, Daylight Detection | | | | | | | | | | |
| 709000072600 | LED Flood-E3 Re144-20W-840-BL-MD | Halogen 100W | 20 | 2400 | 120 | 4000 | Yes | IP65 | 2 kV | 0.78 |

Accessories



543098021900
LED Fixture-IP68-Connector-Kit-3

599000004600
LED Street-SE-Extension Cable-6m

Packaging Information

| Item | | | Box | | | |
|--------------|----------------------------------|------------|-------------------------|-------------------|---------------|--------|
| Item Code | Item Description | EU HS Code | Dimensions (mm) (LxWxH) | Gross Weight (kg) | EAN | pc/box |
| 709000072600 | LED Flood-E3 Re144-20W-840-BL-MD | 94054239 | 178x49x227 | 0.83 | 6941497776563 | 1 |
| 543098021900 | LED Fixture-IP68-Connector-Kit-3 | 39174000 | 265x245x205 | 0.08 | 6941497708991 | 1 |
| 599000004600 | LED Street-SE-Extension Cable-6m | 85444290 | 100x60x350 | 0.68 | 6956321815370 | 1 |

5 YEARS WARRANTY



Technical Specifications

| | |
|------------------------------|----------------------------------|
| Lifetime (L70) | 50,000 h |
| Lifetime (L80) | 30,000 h |
| On-/Off-cycles | 100,000 |
| Colour consistency (SDCM) | 4 |
| Dimmability | Sensor controlled (MD) |
| Sensor type | Motion + Daylight detection (MD) |
| Sensor technology | Microwave (MW) |
| Beam angle | 100° |
| Finishing | Black |
| Colour rendering index (CRI) | ≥ 80 |
| Impact strength | IK07 |
| Protection class | I |
| Risk group (EN 62471) | RG1 |
| With control gear | Yes |
| Glow wire test | 850°C |
| Power factor | ≥ 0.9 |

Electrical Supply

| | |
|-------------------|-----------|
| Frequency | 50/60 Hz |
| Nominal voltage | 220-240 V |
| DC input voltage | No |
| 230V Cable length | 1 m |

Mechanical Properties

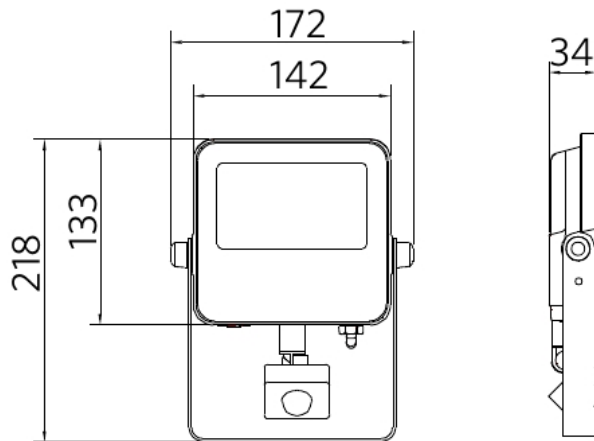
| | |
|------------------|---------------------|
| Housing material | Die-casted Aluminum |
| Optical material | Polycarbonate |
| Cover material | Tempered glass |
| Coastal proof | Yes |

Ambient Conditions

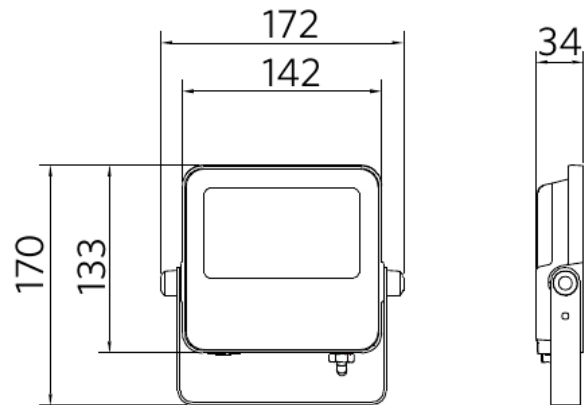
| | |
|--------------------------|-----------|
| Operating temperature | -20-+40°C |
| Operating temperature MD | -20-+40°C |
| Application temperature | +25°C |
| Storage environment | -40-+60°C |

Dimensional Drawing (mm)

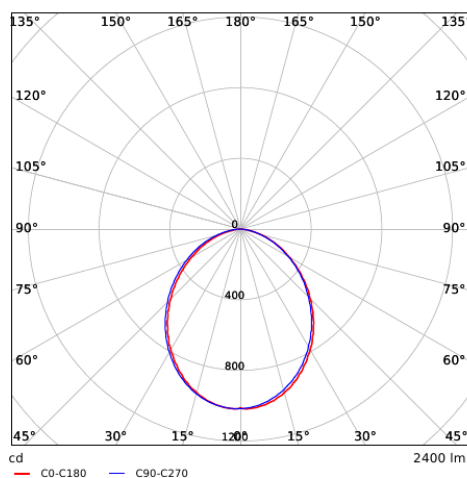
LEDflood-E3 Re144
10W & 20W Motion Detection



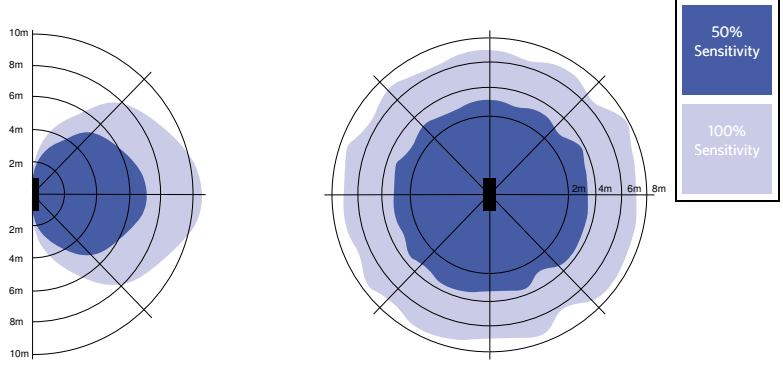
LEDflood-E3 Re144
30W



Photometric Data



Motion sensors - Detection range



Installation - Wall mounted
Suggested installation height 1.5-3m

Installation - Ceiling mounted
Suggested installation height 1.5-3m