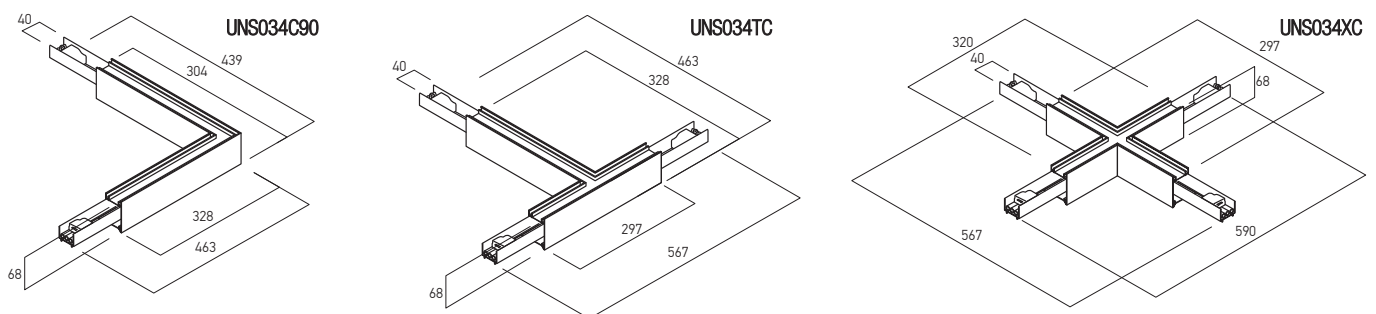
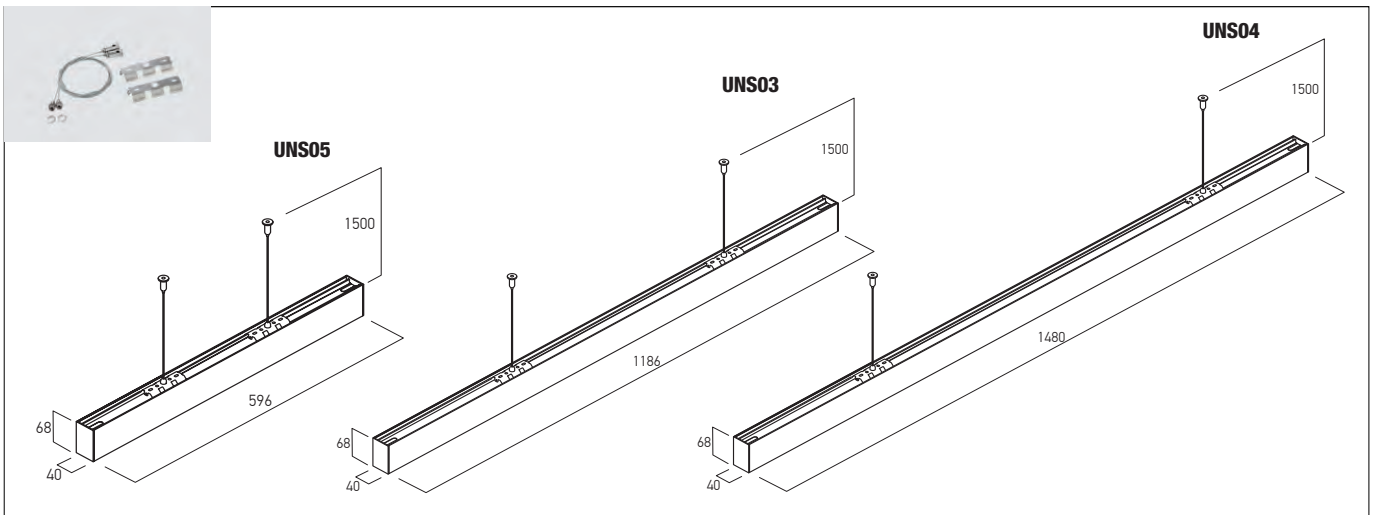
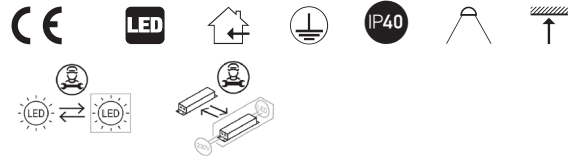


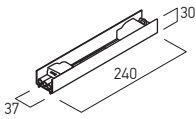
General information / Informatii generale / Informazioni generali

Code	Finishing	Power	Input voltage	Output current / voltage	LED flux	System flux	CCT	Weight
UNS05WW SWH	SWH	30W	220-240V AC	750 mA/33-42V DC	3456 lm	2696 lm	3000K	1,00 kg
UNS05WW SBK	SBK	30W	220-240V AC	750 mA/33-42V DC	3456 lm	2696 lm	3000K	1,00 kg
UNS05NW SWH	SWH	30W	220-240V AC	750 mA/33-42V DC	3600 lm	2862 lm	4000K	1,00 kg
UNS05NW SBK	SBK	30W	220-240V AC	750 mA/33-42V DC	3600 lm	2862 lm	4000K	1,00 kg
UNS03WW SWH	SWH	50W	220-240V AC	1200 mA/33-42V DC	5700 lm	4494 lm	3000K	1,50 kg
UNS03WW SBK	SBK	50W	220-240V AC	1200 mA/33-42V DC	5700 lm	4494 lm	3000K	1,50 kg
UNS03NW SWH	SWH	50W	220-240V AC	1200 mA/33-42V DC	6040 lm	4789 lm	4000K	1,50 kg
UNS03NW SBK	SBK	50W	220-240V AC	1200 mA/33-42V DC	6040 lm	4789 lm	4000K	1,50 kg
UNS04WW SWH	SWH	60W	220-240V AC	1500 mA/33-42V DC	7130 lm	5379 lm	3000K	1,70 kg
UNS04WW SBK	SBK	60W	220-240V AC	1500 mA/33-42V DC	7130 lm	5379 lm	3000K	1,70 kg
UNS04NW SWH	SWH	60W	220-240V AC	1500 mA/33-42V DC	7550 lm	5732 lm	4000K	1,70 kg
UNS04NW SBK	SBK	60W	220-240V AC	1500 mA/33-42V DC	7550 lm	5732 lm	4000K	1,70 kg
UNS03WWDALI SWH	SWH	50W	220-240V AC		5700 lm	4494 lm	3000K	1,50 kg
UNS03WWDALI SBK	SBK	50W	220-240V AC		5700 lm	4494 lm	3000K	1,50 kg
UNS03NWDALI SWH	SWH	50W	220-240V AC		6040 lm	4789 lm	4000K	1,50 kg
UNS03NWDALI SBK	SBK	50W	220-240V AC		6040 lm	4789 lm	4000K	1,50 kg
UNS04WWDALI SWH	SWH	60W	220-240V AC		7130 lm	5379 lm	3000K	1,70 kg
UNS04WWDALI SBK	SBK	60W	220-240V AC		7130 lm	5379 lm	3000K	1,70 kg
UNS04NWDALI SWH	SWH	60W	220-240V AC		7550 lm	5732 lm	4000K	1,70 kg
UNS04NWDALI SBK	SBK	60W	220-240V AC		7550 lm	5732 lm	4000K	1,70 kg

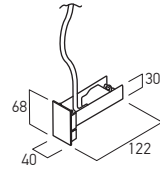


LED type: SMD 2835
 Driver: Included
 CRI: 90
 Optics: 60°
 Working ambient temperature: -25 ÷ +45 °C





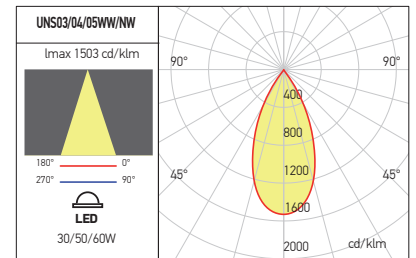
UNS034LC



UNS034PK



UNS034CB



EN

System of light fittings for surface or suspended mounting, for continuous luminous structures, equipped with SMD LEDs. Delivered with suspension system, maximum length of 1,5m and two end caps.

Power supply element (UNS034CB), linear connector (UNS034LC), connectors at 90° (UNS034C90), for T (UNS034TC) or cross (UNS034XC) mounting accessories are available. The light fittings from this range can be mounted also as individual luminaires.

Made from extruded aluminum profile, electrostatically painted with sandblasted finishing.

Lenses of high-gloss faceted PMMA with 60° dispersion angle. Transparent polycarbonate diffuser, optical system UGR<16.

Constant current LED drivers, delivered with the light fittings. Two male connectors 2P+N, one at each end of a luminaire.

Range of applications

General or local lighting in offices, reception areas, conference rooms or public working spaces. Individual mounting or in continuous lighting structures, with variable lengths according to the dimensions of the individual luminaires and accessories.

RO

Sistem de corpuri de iluminat pentru montaj aparent sau suspendat, cu posibilitatea de realizare a structurilor luminoase continue, echipate cu LED-uri SMD. Livrate cu sistem de suspendare cu lungimea maximă de 1,5m și două elemente terminale.

Sunt disponibile accesoriile ca element de alimentare (UNS034CB), conector liniar (UNS034LC), conectoare cu unghiuri de 90° (UNS034C90), în T (UNS034TC) sau în cruce (UNS034XC). Corpurile de iluminat din această gamă pot fi montate și individual.

Realizate din profil din aluminiu extrudat vopsit în câmp electrostatic, cu finisaj sablat.

Lentile din PMMA oglindat și fațetat, cu dispersie de 60°. Dispensur din policarbonat transparent, sistem optic UGR<16.

Alimentatoarele în curent constant livrate împreună cu corpurile de iluminat. Două conectoare tată 2P+N, la fiecare capăt al unui corp de iluminat.

Aplicații

Iluminatul general sau local în birouri, zone de recepție, săli de conferințe sau spații de lucru cu publicul.

Montaj individual sau în structuri luminoase continue, cu lungimi variabile în funcție de dimensiunile corpurilor de iluminat și ale accesoriilor.

IT

Sistema di apparecchi per montaggio a superficie o a sospensione per la creazione di strutture luminose continue, dotati di LED SMD. Forniti con sistema di sospensione, lunghezza massima di 1,5m e due elementi di chiusura delle testate.

Accessori disponibili: elemento di alimentazione (UNS034CB), connettore lineare (UNS034LC), connettori a 90° (UNS034C90), a T (UNS034TC) o a croce (UNS034XC). Gli apparecchi possono essere usati anche per l'installazione singola.

Struttura in profilo di alluminio estruso, verniciato a polveri, con finitura sabbiata.

Lenti in PMMA speculare sfaccettato, con angolo di dispersione di 60°. Diffusore trasparente in policarbonato, sistema ottico UGR<16.

Alimentatori in corrente costante forniti con ogni apparecchio. Due connettori maschi 2P+N, uno ad ogni estremità.

Campi di applicazione

illuminazione generale o locale di uffici, zone di ricezione, sale conferenza o spazi pubblici. Installazione singola o in strutture luminose continue, a misure variabili a seconda delle dimensioni degli apparecchi e degli accessori.

Code	Finishing	Power	Input voltage	Output current / voltage	LED flux	System flux	CCT	Weight
UNS034C90WW SWH	SWH	30W	220-240V AC	750 mA/33-42V DC	3312 lm	2686 lm	3000K	1,00 kg
UNS034C90WW SBK	SBK	30W	220-240V AC	750 mA/33-42V DC	3312 lm	2686 lm	3000K	1,00 kg
UNS034C90NW SWH	SWH	30W	220-240V AC	750 mA/33-42V DC	3528 lm	2862 lm	4000K	1,00 kg
UNS034NWNW SBK	SBK	30W	220-240V AC	750 mA/33-42V DC	3528 lm	2862 lm	4000K	1,00 kg
UNS034C90WWDALI SWH	SWH	30W	220-240V AC		3312 lm	2686 lm	3000K	1,00 kg
UNS034C90WWDALI SBK	SBK	30W	220-240V AC		3312 lm	2686 lm	3000K	1,00 kg
UNS034C90NWDALI SWH	SWH	30W	220-240V AC		3528 lm	2862 lm	4000K	1,00 kg
UNS034C90NWDALI SBK	SBK	30W	220-240V AC		3528 lm	2862 lm	4000K	1,00 kg
UNS034TCWW SWH	SWH	30W	220-240V AC	750 mA/33-42V DC	3312 lm	2691 lm	3000K	1,10 kg
UNS034TCWW SBK	SBK	30W	220-240V AC	750 mA/33-42V DC	3312 lm	2691 lm	3000K	1,10 kg
UNS034TCNW SWH	SWH	30W	220-240V AC	750 mA/33-42V DC	3536 lm	2863 lm	4000K	1,10 kg
UNS034TCNW SBK	SBK	30W	220-240V AC	750 mA/33-42V DC	3536 lm	2863 lm	4000K	1,10 kg
UNS034TCWWDALI SWH	SWH	30W	220-240V AC		3312 lm	2691 lm	3000K	1,10 kg
UNS034TCWWDALI SBK	SBK	30W	220-240V AC		3312 lm	2691 lm	3000K	1,10 kg
UNS034TCNWDALI SWH	SWH	30W	220-240V AC		3536 lm	2863 lm	4000K	1,10 kg
UNS034TCNWDALI SBK	SBK	30W	220-240V AC		3536 lm	2863 lm	4000K	1,10 kg

STANDARDS

EN 60598-1:2015 + A1:2018,
 EN 60598-2-1:2020,
 EN 62031:2008 + A1:2013 + A2:2015
 EN 55015:2019 + A11:2020,
 EN 61000-3-2:2019,
 EN 61000-3-3:2013 + A1:2019,
 EN 61547:2009
 EN 62493:2015,
 EN 62471:2008,
 EN 60529:1992 + A2:2013,

UNS034XCWW SWH	SWH	30W	220-240V AC	750 mA/33-42V DC	3312 lm	2698 lm	3000K	1,15 kg
UNS034XCWW SBK	SBK	30W	220-240V AC	750 mA/33-42V DC	3312 lm	2698 lm	3000K	1,15 kg
UNS034XCNW SWH	SWH	30W	220-240V AC	750 mA/33-42V DC	3536 lm	2864 lm	4000K	1,15 kg
UNS034XCNW SBK	SBK	30W	220-240V AC	750 mA/33-42V DC	3536 lm	2864 lm	4000K	1,15 kg
UNS034XCWWDALI SWH	SWH	30W	220-240V AC		3312 lm	2698 lm	3000K	1,15 kg
UNS034XCWWDALI SBK	SBK	30W	220-240V AC		3312 lm	2698 lm	3000K	1,15 kg
UNS034XCNWDALI SWH	SWH	30W	220-240V AC		3536 lm	2864 lm	4000K	1,15 kg
UNS034XCNWDALI SBK	SBK	30W	220-240V AC		3536 lm	2864 lm	4000K	1,15 kg

ErP and ecodesign data / Date ErP și ecodesig / Dati ErP ed ecodesign

	UNS05WW SWH/SBK	UNS05NW SWH/SBK	UNS03WW SWH/SBK	UNS03NW SWH/SBK	UNS04WW SWH/SBK	UNS04NW SWH/SBK
Lighting technology used:	LED	LED	LED	LED	LED	LED
Directional or non-directional:	DLS	DLS	DLS	DLS	DLS	DLS
Mains or non-mains:	NMLS	NMLS	NMLS	NMLS	NMLS	NMLS
CLS:	No	No	No	No	No	No
Color tunable light source:	No	No	No	No	No	No
Anti-glare shield:	No	No	No	No	No	No
Dimmable:	No	No	No	No	No	No
Energy consumption (kWh/1000h):	30 kWh/1000h	30 kWh/1000h	50 kWh/1000h	50 kWh/1000h	60 kWh/1000h	60 kWh/1000h
Energy efficiency class:	E	E	E	E	E	E
Useful luminous flux (Øuse) (lm):	3456 lm	3600 lm	5700 lm	6040 lm	7130 lm	7550 lm
Correlated color temperature (K):	3000K	4000K	3000K	4000K	3000K	6500K
On-mode power (Pon) (W):	30W	30W	50W	50W	60W	60W
Standby power (Psb):	≤0.5	≤0.5	≤0.5	≤0.5	≤0.5	≤0.5
Networked standby power (Pnet) (W):	-	-	-	-	-	-
Outer dimensions (HxWxL, HxØ) (mm):	68x40x596 (mm)	68x40x596 (mm)	68x40x1186 (mm)	68x40x1186 (mm)	68x40x1480 (mm)	68x40x1480 (mm)
CRI:	90	90	90	90	-	-
Chromaticity coordinates (x and y):	x=0.4340; y=0.4030	x=0.3830; y=0.3800	x=0.4340; y=0.4030	x=0.3830; y=0.3800	x=0.4340; y=0.4030	x=0.3830; y=0.3800
Peak luminous intensity (cd):	-	-	-	-	-	-
Beam angle in degrees:	60°	60°	60°	60°	60°	60°
R9 color rendering index:	10	10	10	10	10	10
Survival factor:	90%	90%	90%	90%	90%	90%
Lumen maintenance factor:	96%	96%	96%	96%	96%	96%
Displacement factor (cosφ1)	0,94	0,94	0,94	0,94	0,94	0,94
McAdam ellipses:	6	6	6	6	6	6
Flicker metric (Pst LM):	≤1	≤1	≤1	≤1	≤1	≤1
Stroboscopic effect metric (SVM):	≤0.4	≤0.4	≤0.4	≤0.4	≤0.4	≤0.4
Ponmax:	43,23W	44,96W	70,11W	74,19W	87,24W	92,28W
	UNS03WWDALI SWH/SBK	UNS03NWDALI SWH/SBK	UNS04WWDALI SWH/SBK	UNS04NWDALI SWH/SBK		
Lighting technology used:	LED	LED	LED	LED	LED	
Directional or non-directional:	DLS	DLS	DLS	DLS	DLS	
Mains or non-mains:	NMLS	NMLS	NMLS	NMLS	NMLS	
CLS:	No	No	No	No	No	
Color tunable light source:	No	No	No	No	No	
Anti-glare shield:	No	No	No	No	No	
Dimmable:	Yes	Yes	Yes	Yes	Yes	
Energy consumption (kWh/1000h):	50 kWh/1000h	50 kWh/1000h	60 kWh/1000h	60 kWh/1000h	60 kWh/1000h	
Energy efficiency class:	E	E	E	E	E	
Useful luminous flux (Øuse) (lm):	5700 lm	6040 lm	7130 lm	7130 lm	7550 lm	
Correlated color temperature (K):	3000K	4000K	3000K	3000K	6500K	
On-mode power (Pon) (W):	50W	50W	60W	60W	60W	
Standby power (Psb):	≤0.5	≤0.5	≤0.5	≤0.5	≤0.5	
Networked standby power (Pnet) (W):	-	-	-	-	-	
Outer dimensions (HxWxL, HxØ) (mm):	68x40x1186 (mm)	68x40x1186 (mm)	68x40x1480 (mm)	68x40x1480 (mm)	68x40x1480 (mm)	
CRI:	90	90	-	-	-	
Chromaticity coordinates (x and y):	x=0.4340; y=0.4030	x=0.3830; y=0.3800	x=0.4340; y=0.4030	x=0.4340; y=0.4030	x=0.3830; y=0.3800	
Peak luminous intensity (cd):	-	-	-	-	-	
Beam angle in degrees:	60°	60°	60°	60°	60°	
R9 color rendering index:	10	10	10	10	10	
Survival factor:	90%	90%	90%	90%	90%	
Lumen maintenance factor:	96%	96%	96%	96%	96%	
Displacement factor (cosφ1)	0,94	0,94	0,94	0,94	0,94	
McAdam ellipses:	6	6	6	6	6	
Flicker metric (Pst LM):	≤1	≤1	≤1	≤1	≤1	
Stroboscopic effect metric (SVM):	≤0.4	≤0.4	≤0.4	≤0.4	≤0.4	
Ponmax:	70,11W	74,19W	87,24W	92,28W	92,28W	