

General information / Informații generale / Informazioni generali



Code	Finishing	Power	Output current / voltage	LED flux	System flux	CCT	Weight
CU01UWW36 MWH	MWH	7/10W	350 mA/2-20V DC / 500 mA/2-20V DC	600 lm / 820 lm	372 lm / 491 lm	2700K	0,14 kg
CU01WW36 MWH	MWH	7/10W	350 mA/2-20V DC / 500 mA/2-20V DC	618 lm / 848 lm	383 lm / 506 lm	3000K	0,14 kg
CU01NW36 MWH	MWH	7/10W	350 mA/2-20V DC / 500 mA/2-20V DC	655 lm / 899 lm	579 lm / 772 lm	4000K	0,14 kg
CU01UWW36 BK	BK	7/10W	350 mA/2-20V DC / 500 mA/2-20V DC	600 lm / 820 lm	372 lm / 491 lm	2700K	0,14 kg
CU01WW36 BK	BK	7/10W	350 mA/2-20V DC / 500 mA/2-20V DC	618 lm / 848 lm	383 lm / 506 lm	3000K	0,14 kg
CU01NW36 BK	BK	7/10W	350 mA/2-20V DC / 500 mA/2-20V DC	655 lm / 899 lm	579 lm / 772 lm	4000K	0,14 kg
CU01UWW36 GD	GD	7/10W	350 mA/2-20V DC / 500 mA/2-20V DC	600 lm / 820 lm	372 lm / 491 lm	2700K	0,14 kg
CU01WW36 GD	GD	7/10W	350 mA/2-20V DC / 500 mA/2-20V DC	618 lm / 848 lm	383 lm / 506 lm	3000K	0,14 kg
CU01NW36 GD	GD	7/10W	350 mA/2-20V DC / 500 mA/2-20V DC	655 lm / 899 lm	579 lm / 772 lm	4000K	0,14 kg

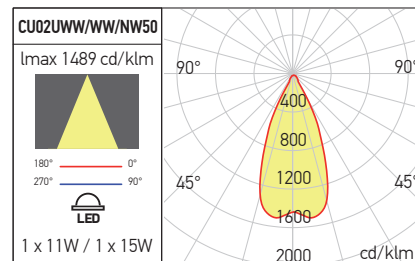
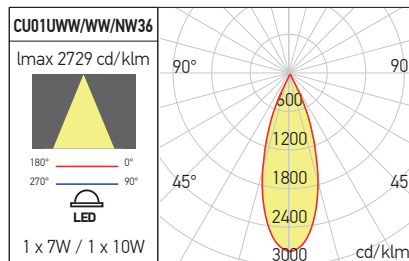
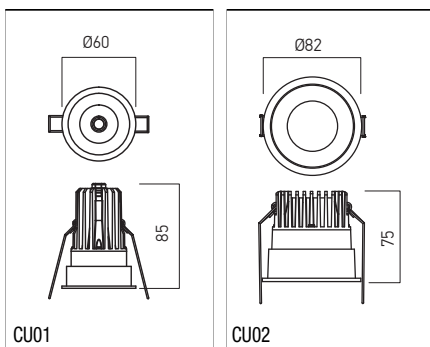


Code	Finishing	Power	Output current / voltage	LED flux	System flux	CCT	Weight
CU02UWW36 MWH	MWH	11/15W	500 mA/2-24V DC / 700 mA/2-22V DC	880 lm / 1200 lm	721 lm / 959 lm	2700K	0,27 kg
CU02WW36 MWH	MWH	11/15W	500 mA/2-24V DC / 700 mA/2-22V DC	908 lm / 1241 lm	743 lm / 984 lm	3000K	0,27 kg
CU02NW36 MWH	MWH	11/15W	500 mA/2-24V DC / 700 mA/2-22V DC	953 lm / 1302 lm	780 lm / 1206 lm	4000K	0,27 kg
CU02UWW36 BK	BK	11/15W	500 mA/2-24V DC / 700 mA/2-22V DC	880 lm / 1200 lm	721 lm / 959 lm	2700K	0,27 kg
CU02WW36 BK	BK	11/15W	500 mA/2-24V DC / 700 mA/2-22V DC	908 lm / 1241 lm	743 lm / 984 lm	3000K	0,27 kg
CU02NW36 BK	BK	11/15W	500 mA/2-24V DC / 700 mA/2-22V DC	953 lm / 1302 lm	780 lm / 1206 lm	4000K	0,27 kg
CU02UWW36 GD	GD	11/15W	500 mA/2-24V DC / 700 mA/2-22V DC	880 lm / 1200 lm	721 lm / 959 lm	2700K	0,27 kg
CU02WW36 GD	GD	11/15W	500 mA/2-24V DC / 700 mA/2-22V DC	908 lm / 1241 lm	743 lm / 984 lm	3000K	0,27 kg
CU02NW36 GD	GD	11/15W	500 mA/2-24V DC / 700 mA/2-22V DC	953 lm / 1302 lm	780 lm / 1206 lm	4000K	0,27 kg

LED type: COB
 Driver: Excluded
 CRI: 90
 Optics: 36°/50°
 Working ambient temperature: -20 ÷ +50 °C
 Recessed hole: Ø55/Ø75 mm

STANDARDS

EN 60598-1:2015 + A1:2018,
 EN 60598-2-1:2020,
 EN 60598-2-2:2012
 EN 62031:2008 + A1:2013 + A2:2015
 EN 55015:2019 + A11:2020,
 EN 61000-3-2:2019,
 EN 61000-3-3:2013 + A1:2019,
 EN 61547:2009 EN 62493:2015,
 EN 62471:2008,
 EN 60529:1992 + A2:2013



EN

Recessed, fixed spots for interior, equipped with COB LED, electrostatically painted in mat white, gold or mat black. Can be installed individually or in single, double or triple recessed frames. The frames must be ordered separately.
 Body of die-cast aluminum, electrostatically painted, heat sink of die-cast aluminum. Reflector of chromed polycarbonate and clear glass diffuser.
 Constant current LED driver has to be ordered separately.

Range of applications

General or accent lighting in commercial areas, museums and other exhibition spaces, residential and recreational areas.

RO

Spoturi fixe pentru montaj încastrat în interior, echipate cu LED-uri COB, vopsite în câmp electrostatic în variante de culori alb mat, auriu sau negru mat. Pot fi montate individual sau în rame de încastrare (comandate separat) cu unu, doua sau trei posturi.
 Corpul din aluminiu turnat, vopsit în câmp electrostatic, radiatorul din aluminiu turnat. Reflector din policarbonat cromat, dispersor din sticlă clară.
 Alimentatorul în curent constant se comandă separat.

Aplicații

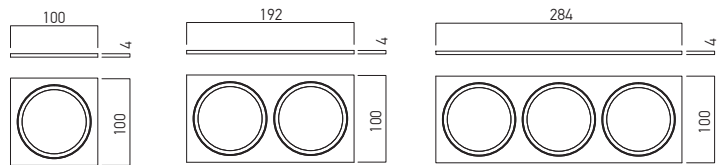
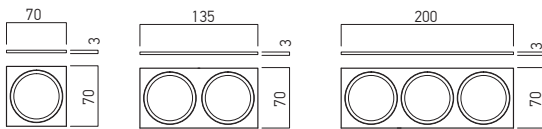
Iluminatul general sau de accent în spații comerciale, muzee și alte spații de expunere, zone rezidențiale și zone de agrement

IT

Faretti fissi da incasso per interni, dotati di LED COB, verniciati a polveri nelle varianti colore bianco opaco, oro o nero opaco. Possono essere montati singolarmente o utilizzando apposite cornici (da ordinare separatamente) in combi-nazioni di uno, due o tre moduli.
 Corpo in alluminio pressofuso, verniciato a polveri, dissipatore in alluminio pressofuso. Riflettore in policarbonato cromato, diffusore in vetro trasparente.
 Alimentatore a corrente costante da ordinare separatamente.

Campi di applicazione

illuminazione generale o d'accento in musei, spazi espositivi, aree residenziali e ricreative.



Code	Finishing	Description	Weight
CUS1 MWH	MWH	White frame for 1 LED module CU01 model	0,02 kg
CUS2 MWH	MWH	White frame for 2 LED module CU01 model	0,03 kg
CUS3 MWH	MWH	White frame for 3 LED module CU01 model	0,05 kg
CUS1 BK	MBK	Black frame for 1 LED module CU01 model	0,02 kg
CUS2 BK	MBK	Black frame for 2 LED module CU01 model	0,03 kg
CUS3 BK	MBK	Black frame for 3 LED module CU01 model	0,05 kg

Code	Finishing	Description	Weight
CUM1 MWH	MWH	White frame for 1 LED module CU02 model	0,06 kg
CUM2 MWH	MWH	White frame for 2 LED module CU02 model	0,11 kg
CUM3 MWH	MWH	White frame for 3 LED module CU02 model	0,14 kg
CUM1 BK	MBK	Black frame for 1 LED module CU02 model	0,06 kg
CUM2 BK	MBK	Black frame for 2 LED module CU02 model	0,11 kg
CUM3 BK	MBK	Black frame for 3 LED module CU02 model	0,14 kg

RECOMMENDED CC DRIVERS 350 mA

RECOMMENDED CC DRIVERS 500 mA

RECOMMENDED CC DRIVERS 700 mA



AT102



ATD350.09



AT201



ATD500.12



AT301



ATD700.18



ErP and ecodesign data / Date ErP și ecodesig / Dati Erp ed ecodesign

	CU01UWW36 MWH/BK/GD	CU01WW36 MWH/BK/GD	CU01NW36 MWH/BK/GD	CU02UWW50 MWH/BK/GD	CU02WW50 MWH/BK/GD	CU02NW50 MWH/BK/GD
Lighting technology used:	LED	LED	LED	LED	LED	LED
Directional or non-directional:	DLS	DLS	DLS	DLS	DLS	DLS
Mains or non-mains:	NMLS	NMLS	NMLS	NMLS	NMLS	NMLS
CLS:	No	No	No	No	No	No
Color tunable light source:	No	No	No	No	No	No
Anti-glare shield:	No	No	No	No	No	No
Dimmable:	No	No	No	No	No	No
Energy consumption (kWh/1000h):	7/11 kWh/1000h	7/11 kWh/1000h	7/11 kWh/1000h	11/15 kWh/1000h	11/15 kWh/1000h	11/15 kWh/1000h
Energy efficiency class:	F/G	F/G	F/F	G/G	G/G	F/F
Useful luminous flux (Φuse) (lm):	600/820 lm	618/848 lm	655/899 lm	880/1200 lm	908/1241 lm	953/1302 lm
Correlated color temperature (K):	2700K	3000K	4000K	2700K	3000K	4000K
On-mode power (Pon) (W):	7/11W	7/11W	7/11W	11/15W	11/15W	11/15W
Standby power (Psb):	≤0.5	≤0.5	≤0.5	≤0.5	≤0.5	≤0.5
Networked standby power (Pnet) (W):	-	-	-	-	-	-
Outer dimensions (HxWxL, HxØ) (mm):	85x60 (mm)	85x60 (mm)	85x60 (mm)	75x82 (mm)	75x82 (mm)	75x82 (mm)
CRI:	90	90	90	90	90	90
Chromaticity coordinates (x and y):	x=0.4410; y=0.4050	x=0.4340; y=0.4030	x=0.3830; y=0.3800	x=0.4410; y=0.4050	x=0.4340; y=0.4030	x=0.3830; y=0.3800
Peak luminous intensity (cd):	1015/1340	1045/1381	1580/2107	1074/1428	1106/1465	1161/1796
Beam angle in degrees:	36°	36°	36°	50°	50°	50°
R9 color rendering index:	50	50	50	50	50	50
Survival factor:	90%	90%	90%	90%	90%	90%
Lumen maintenance factor:	96%	96%	96%	96%	96%	96%
Displacement factor (cosφ1)	-	-	-	-	-	-
McAdam ellipses:	3	3	3	3	3	3
Flicker metric (Pst LM):	≤1	≤1	≤1	≤1	≤1	≤1
Stroboscopic effect metric (SVM):	≤0.4	≤0.4	≤0.4	≤0.4	≤0.4	≤0.4
Ponmax:	9,02/11,66W	9,24/11,99W	9,68/12,60W	12,37/16,21W	12,71/16,70W	13,25/17,43W