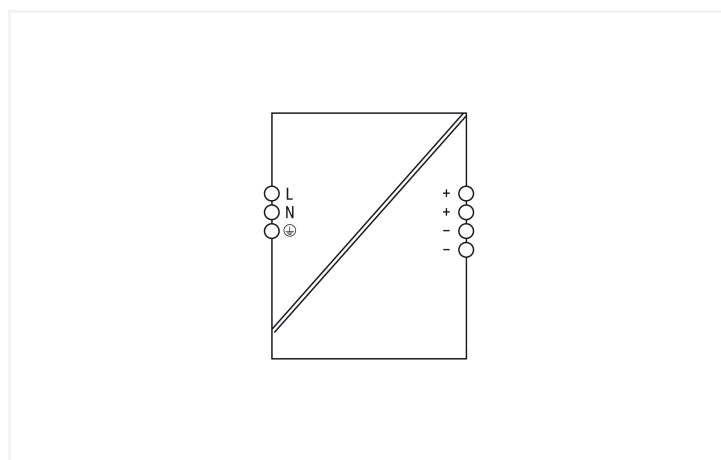


Data Sheet | Item Number: 2587-2146

Switched-mode power supply; Base; 1-phase; 24 VDC output voltage; 10 A output current; DC-OK LED

<https://www.wago.com/2587-2146>



Similar to illustration

Features:

- Optical status indication
- Suitable for both parallel and series operation
- Natural convection cooling when horizontally mounted
- Connection technology with push-in termination
- Electrically isolated output voltage (SELV) per EN 62368-1/UL 61010-1

Technical data

Input

Phases	1
Nominal input voltage $U_{i, \text{nom}}$	1 x 100 ... 240 VAC
Input voltage range	1 x 90 ... 264 VAC (Derating -1 %/V for voltage < 100 VAC)
Nominal mains frequency range	50 Hz / 60 Hz
Input current I_i	≤ 3.5 A
Inrush current	≤ 15 A (at 230 VAC / 25 °C)
Power factor correction (PFC)	Active
Mains failure hold-up time	≥ 22 ms (230 VAC)

Output

Nominal output voltage $U_{o, \text{nom}}$	24 VDC (SELV)
Output voltage range	23.5 ... 28 VDC (adjustable)
Default Setting	DC 24 V
Nominal output current $I_{o, \text{nom}}$	10 A (24 VDC)
Nominal output power	240 W
Deviation	≤ 1 %
Residual ripple	≤ 100 mV (peak-to-peak)
Overload behavior	Shutdown and automatic restart in the event of a short circuit

Signaling and communication

Signaling	Optical status indication (DC OK)
-----------	-----------------------------------

Efficiency/power losses

Power loss P_1	≤ 5 W (230 VAC; no load); ≤ 24.6 W (230 VAC; nominal load)
Efficiency (typ.)	91 %

Safety and protection

Isolation voltage (pri.-sec., AC)	3510 V
Isolation voltage (pri.-PE, AC)	2210 V
Protection class	I
Protection type	IP20; Per EN 60529
Overtoltage category	III (≤ 2000 m); II (> 2000 m)
Pollution degree	2
Short-circuit-protected	Yes
Open-circuit-proof	Yes
Parallel operation	Yes
Series operation	Yes
MTBF	$> 1,000,000$ h (at 25 °C; per IEC 61709; SN 29500)

Connection data

Connection 1

Connection type	Input/output
Connection technology	Push-in CAGE CLAMP®
WAGO connector	WAGO 2624 Series
Solid conductor	0.2 ... 6 mm ² / 24 ... 10 AWG
Fine-stranded conductor	0.2 ... 6 mm ² / 24 ... 10 AWG
Fine-stranded conductor; with insulated ferrule	0.25 ... 2.5 mm ²
Fine-stranded conductor; with uninsulated ferrule	0.25 ... 2.5 mm ²
Strip length	10 ... 12 mm / 0.39 ... 0.47 inches

Physical data

Width	52 mm / 2.05 inches
Height	125 mm / 4.92 inches
Depth from upper-edge of DIN-rail	117 mm / 4.61 inches

Mechanical data

Mounting type	DIN-35 rail
---------------	-------------

Material data

Fire load	0 MJ
Weight	752 g

Standards and specifications

Conformity marking	CE
Standards/specifications	EN 62368-1 EN 55032 EN 55035 EN IEC 61000-3-2 EN 61000-3-3 EN IEC 61000-6-4 EN IEC 61000-6-2 UL 61010-1 UL 61010-2-201 SEMI F47 EN 61558-2-16

Commercial data

PU (SPU)	1 pcs
Packaging type	Box
Country of origin	CN
GTIN	4066966626490
Customs tariff number	85044083900

Approvals / Certificates

General approvals			Declarations of conformity and manufacturer's declarations		
Approval	Standard	Certificate Name	Approval	Standard	Certificate Name
UL Underwriters Laboratories Inc.	UL 61010-2-201	E255817	EU-Declaration of Confor- mity WAGO GmbH & Co. KG	-	-
			UK-Declaration of Confor- mity WAGO GmbH & Co. KG	-	-

1 Compatible Products

1.1 Optional Accessories

1.1.1 General accessories

1.1.1.1 Electronic circuit breaker



Item No.: 787-3664
Electronic circuit breaker; 4-channel; 24 VDC input voltage; adjustable 1 ... 10 A; Signal contact

Item No.: 787-3668
Electronic circuit breaker; 8-channel; 24 VDC input voltage; adjustable 1 ... 10 A; Signal contact

1.1.2 Tool

1.1.2.1 Operating tool



Item No.: 210-719

Operating tool; Blade: 2.5 x 0.4 mm; with a partially insulated shaft



Item No.: 210-720

Operating tool; Blade: 3.5 x 0.5 mm; with a partially insulated shaft; multicoloured



Item No.: 210-721

Operating tool; Blade: 5.5 x 0.8 mm; with a partially insulated shaft; multicoloured