



## EIKON: 2 half buttons 2M w/o symbol cust. grey

**20752**

Smart systems&products / By-me Plus / EIKON / Buttons

### 2 half buttons 2M w/o symbol cust. grey

Two interchangeable half-buttons, neutral to customize, 2 modules, grey

### Product Status

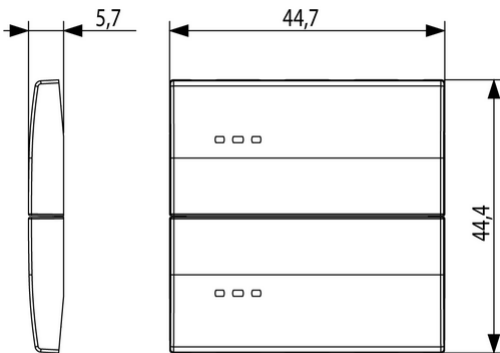
3 - Active

### Minimum order quantity

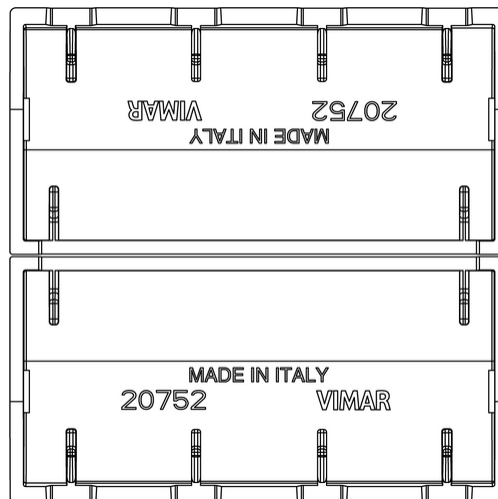
1 NR



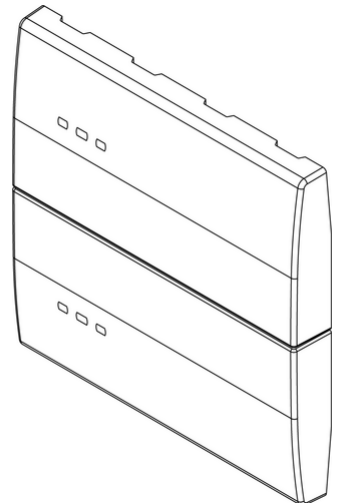
## Drawings



Space view



Backside view



3D View

## Certifications

- 00. CE Marking - EU

## Technical data

**Class group:** Installation bus systems

**Class:** Touch rocker for bus system

**Bus system KNX:** Yes

**Bus system KNX-RF (Radio Frequency):** No

**Bus system radio frequency:** No

**Bus system LON:** No

**Bus system Powernet:** No

**Other bus systems:** Other

**Radio frequency bidirectional:** No

**Material:** Plastic

**Material quality:** Thermoplastic

**Surface protection:** Untreated

**Surface finishing:** Matt

**Colour:** Grey

**RAL-number (similar):** 7024

**Transparent:** No

## Packaging



8007352592124

**Qtà** 1 NR

**Dim** 6.5x6x1 [cm]

**Weight** 5.5 [g]



8007352592131

**Qtà** 10 NR

**Dim** 12.3x9.6x5.1 [cm]

**Weight** 89 [g]

## You may also be interested in



01480 - 4-button control  
2M



01482 - 4-button  
control+shutter-laths 2M



01484 - 4 amplif.buttons  
1+1W 2M switch 2M



01480.TR - Tropicalized  
4-button control 2M



01481 - 4-button  
control+actuator 2M



01483 - 4-button+1  
LINEOUT switch 2M



01485.TR - Tropicalized  
6-button control 3M



01485 - 6-button control  
3M



01486 - 6-button  
control+actuator 3M



01487 - 6-button  
control+shutter-laths 3M



01488 - 4-button  
control+dimmer.LED 240V  
2M



01489 - Device 4  
buttons+dimmer 0/1-10V  
2M

## Legal

Vimar reserves the right to change at any time and without notice the characteristics of the products reported. Installation should be carried out by qualified staff in compliance with the current regulations regarding the installation of electrical equipment in the country where the products are installed. For the terms of use of the information on the product info sheet see [Conditions of Use](#).