



## EIKON: 2P+E 13A SICURY multi-outlet+switch grey

**20255**

Wiring devices / Traditional wiring devices / EIKON / Devices

### 2P+E 13A SICURY multi-outlet+switch grey

2P+E 13 A 250 V~ SICURY socket outlet, multi standard with 1P  
1-way switch, lightable, grey - 3 modules

#### Product Status

3 - Active

#### Minimum order quantity

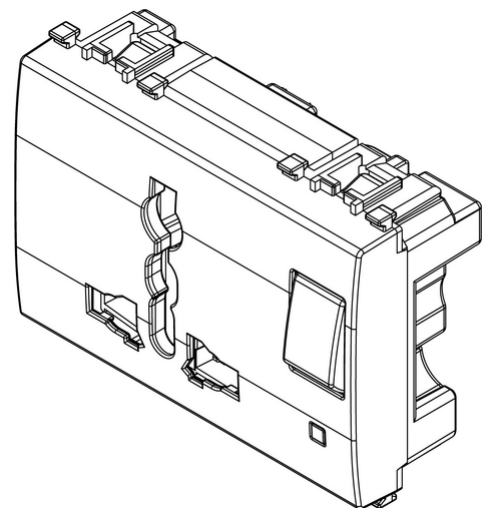
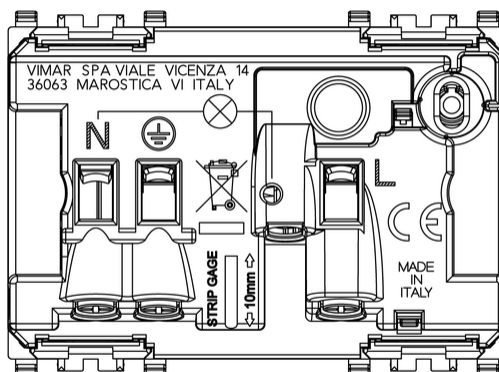
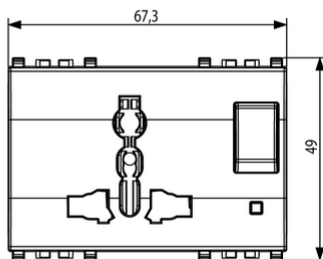
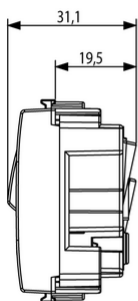
10 NR



## Sheets, Manuals, Documentation

- [Multilanguage instructions sheet \(981 kb\)](#)

## Drawings



Space view

Backside view

3D View

## Certifications

- 00. CE Marking - EU
- 00. CE Marking - EU
- 37. Marking - Morocco
- 92. RoHS UAE
- 96. Electrotechnical expert ([download](#))
- 99. WEEE Directive ([download](#))

## Technical data

**Class group:** Domestic switching devices

**Class:** Socket outlet

**Model:** Other

**Number of modules (module system):** 2

**Number of socket outlets switchable:** 1

**Imprint/indication:** None

**Connection type:** Screwed terminal

**With hinged lid:** No

**With enhanced contact protection:** Yes

**Label space/information surface:** Yes

**Colour:** Grey

**RAL-number (similar):** 7024

**Metallic colour:** No

**Transparent:** No

**Lockable:** No

**Eject-mechanism:** No

**Insulated mounting:** No

**With function lighting:** Yes

**Overvoltage protection:** No

**Fault current protection:** No

**Mounting method:** Flush-mounted

**Material:** Plastic

**Material quality:** Thermoplastic

**Halogen free:** Yes

**Surface protection:** Untreated

**Surface finishing:** Matt

**With loop through function:** No

**With on/off switch:** Yes

**Rotated central insert:** No

**Nominal current:** 13 A

**Nominal voltage:** 250 V

**Frequency:** 50,00 - 60,00 HZ

**Suitable for degree of protection (IP):** IP20

**Impact strength:** Other

**Device width:** 67,30 mm

**Device height:** 49,00 mm

**Device depth:** 31,10 mm

## Packaging



8007352598621

**Qtà** 1 NR  
**Dim** 5.3x3.9x7.6 [cm]  
**Weight** 70 [g]



8007352598638

**Qtà** 10 NR  
**Dim** 28.1x13.1x6 [cm]  
**Weight** 780.6 [g]



8007352717381

**Qtà** 120 NR  
**Dim** 38.5x29x30 [cm]  
**Weight** 9,367.2 [g]

## Legal

Vimar reserves the right to change at any time and without notice the characteristics of the products reported. Installation should be carried out by qualified staff in compliance with the current regulations regarding the installation of electrical equipment in the country where the products are installed. For the terms of use of the information on the product info sheet see [Conditions of Use](#).