



ARKÉ: Button 2M white

19039.B

Wiring devices / Traditional wiring devices / ARKÉ / Buttons

Button 2M white

Interchangeable button 2 modules smooth, non-lightable, white

Product Status

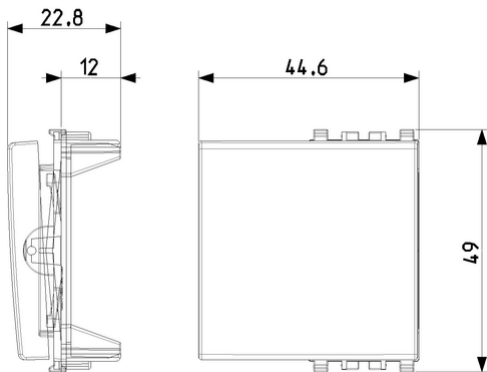
3 - Active

Minimum order quantity

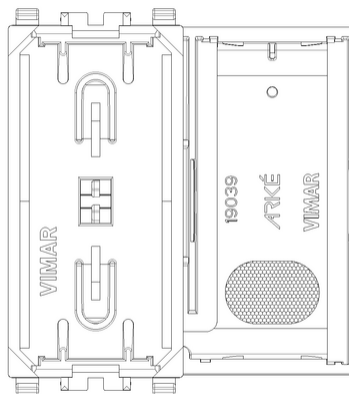
2 NR



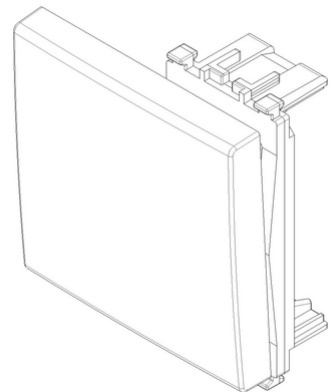
Drawings



Space view



Backside view



3D View

Certifications

- 00. CE Marking - EU
- 01. IMQ - Italy ([download](#))
- 29. QCERT - Colombia

Technical data

Class group: Domestic switching devices

Class: Control element/cover plate for domestic switching devices

Model: One-part rocker

Imprint/indication: None

Utilization: Switch/push button

Suitable for touch sensor connector for bus system: No

Type of fastening: Clamp mounting

Monitoring window/light outlet: Yes

Material: Plastic

Material quality: Thermoplastic

Halogen free: Yes

Surface protection: Untreated

Surface finishing: Matt

Colour: White

RAL-number (similar): 9016

With label area: No

With exchangeable lens/symbol: No

Suitable for degree of protection (IP): IP40

Width: 44,60 mm

Height: 49,00 mm

Depth: 22,80 mm

Packaging



8007352549005

Qtà 1 NR
Dim 2.5x1.4x2.65 [cm]
Weight 11 [g]



8007352549012

Qtà 2 NR
Dim 5.1x2.8x5.3 [cm]
Weight 22 [g]



8007352549029

Qtà 10 NR
Dim 14.2x6.7x5.9 [cm]
Weight 141.4 [g]

Legal

Vimar reserves the right to change at any time and without notice the characteristics of the products reported. Installation should be carried out by qualified staff in compliance with the current regulations regarding the installation of electrical equipment in the country where the products are installed. For the terms of use of the information on the product info sheet see [Conditions of Use](#).