



EIKON: 2 half buttons 1M arrows symbol grey

20755.2

Wiring devices / View Wireless wiring devices / EIKON / Buttons

2 half buttons 1M arrows symbol grey

Two 1-module interchangeable arrow symbol half-button caps, grey

Product Status

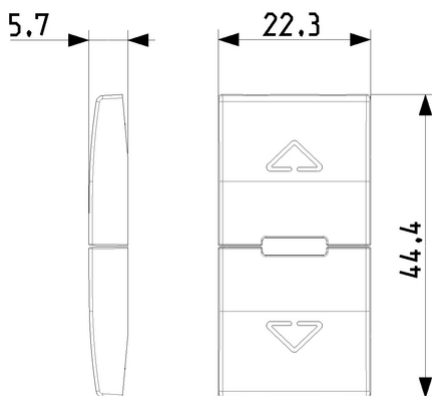
3 - Active

Minimum order quantity

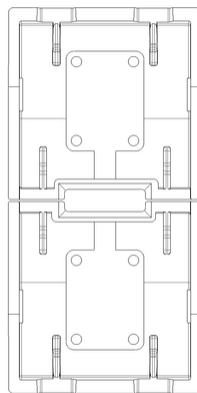
1 NR



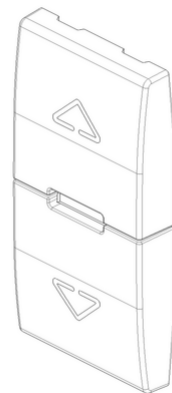
Drawings



Space view



Backside view



3D View

Technical data

Class group: Installation bus systems

Class: Touch rocker for bus system

Bus system KNX: Yes

Bus system KNX-RF (Radio Frequency): No

Bus system radio frequency: No

Bus system LON: No

Bus system Powernet: No

Other bus systems: Other

Radio frequency bidirectional: No

Material: Plastic

Material quality: Thermoplastic

Surface protection: Untreated

Surface finishing: Matt

Colour: Grey

RAL-number (similar): 7024

Transparent: No

Packaging



8 007352 628878

8007352628878

Qtà 1 NR

Dim 4.44x2.23x0.67
[cm]

Weight 3 [g]



8 007352 628885

8007352628885

Qtà 20 NR

Dim 12.3x9.6x5.1
[cm]

Weight 96 [g]

You may also be interested in



[20594.0 - Rolling shutter
IoT connected
mechanism](#)

Legal

Vimar reserves the right to change at any time and without notice the characteristics of the products reported. Installation should be carried out by qualified staff in compliance with the current regulations regarding the installation of electrical equipment in the country where the products are installed. For the terms of use of the information on the product info sheet see [Conditions of Use](#).