



ARKÉ: 1P NO 10A name-plate push button white

19050.B

Wiring devices / Traditional wiring devices / ARKÉ / Devices

1P NO 10A name-plate push button white

1P NO 10 A 250 V~ lightable name-plate push button, for E10
10x28 mm 1 W max lamp, white - 2 modules. Delivered without
lamp



Product Status

3 - Active

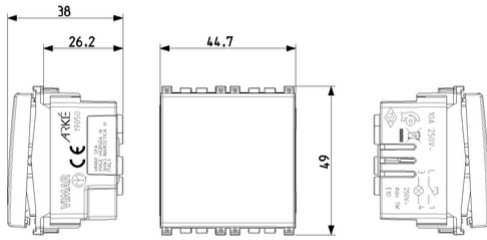
Minimum order quantity

20 NR

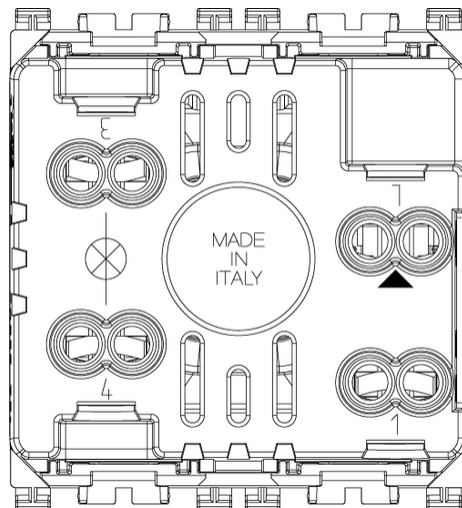
Gallery



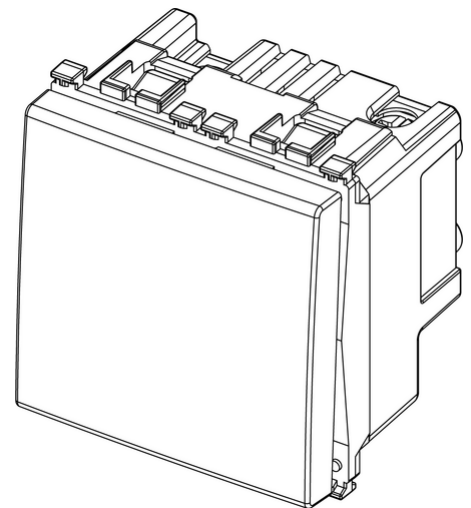
Drawings



Space view



Backside view



3D View

Certifications

- 00. CE Marking - EU
- 01. IMQ - Italy ([download](#))
- 14. TSE - Turkey ([download](#))
- 19. NOM - Mexico
- 31. TISI - Thailand
- 36. ISI - India
- 37. Marking - Morocco
- 96. Electrotechnical expert ([download](#))
- 99. WEEE Directive ([download](#))

Technical data

Class group: Communication technique
(components and systems)

Class: Bell push button

With lighting: Yes

Material: Plastic

Mounting method: Flush-mounted

Colour: White

Wireless: No

Built-in depth: 26,50 mm

Length: 38,00 mm

Width: 44,70 mm

Height: 49,00 mm

Packaging



8 007352 455078

8007352455078

Qtà 1 NR

Dim 5.1x4.3x5.3 [cm]

Weight 48.8 [g]



8 007352 455085

8007352455085

Qtà 20 NR

Dim 26.9x11.6x9 [cm]

Weight 1,057 [g]



8 007352 634176

8007352634176

Qtà 240 NR

Dim 38x28.5x35.5 [cm]

Weight 12,684 [g]

You may also be interested in



00940 - E10 10x21 230V
0,7W LED lamp white



14771 - E10 10x28mm
24V 2W incand.lamp
white



14777 - E10 10x28mm
220V 3W incand.lamp
white

Legal

Vimar reserves the right to change at any time and without notice the characteristics of the products reported. Installation should be carried out by qualified staff in compliance with the current regulations regarding the installation of electrical equipment in the country where the products are installed. For the terms of use of the information on the product info sheet see [Condizioni di utilizzo](#).