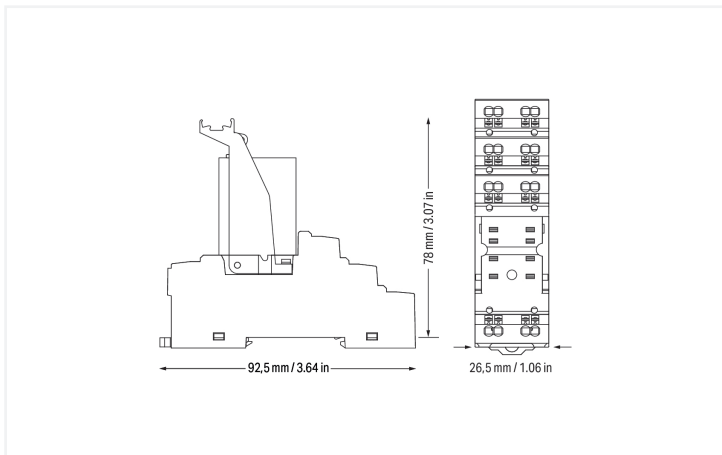
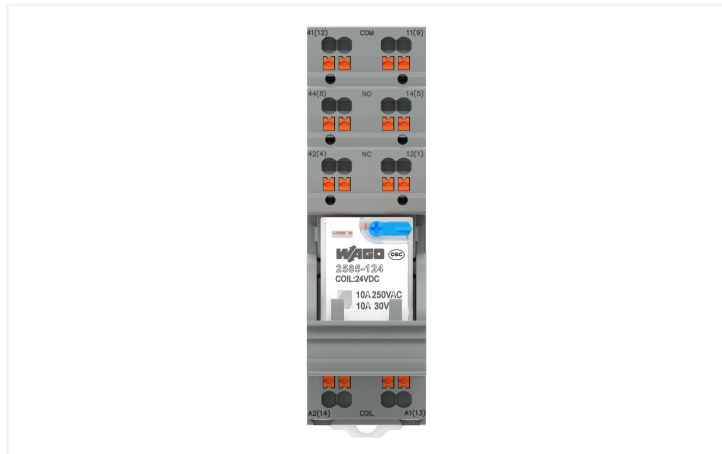
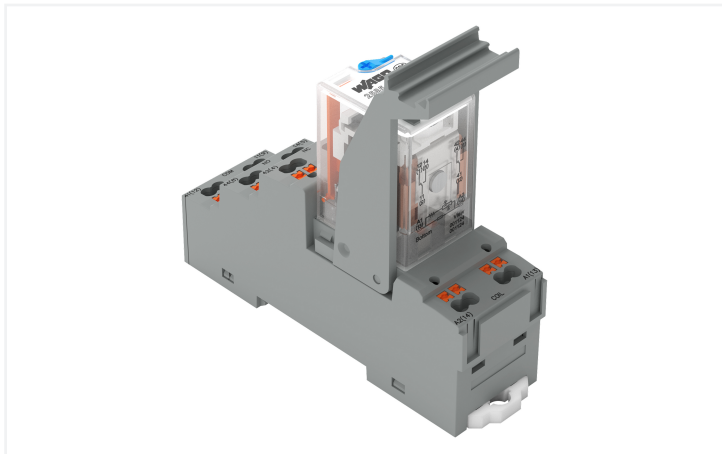
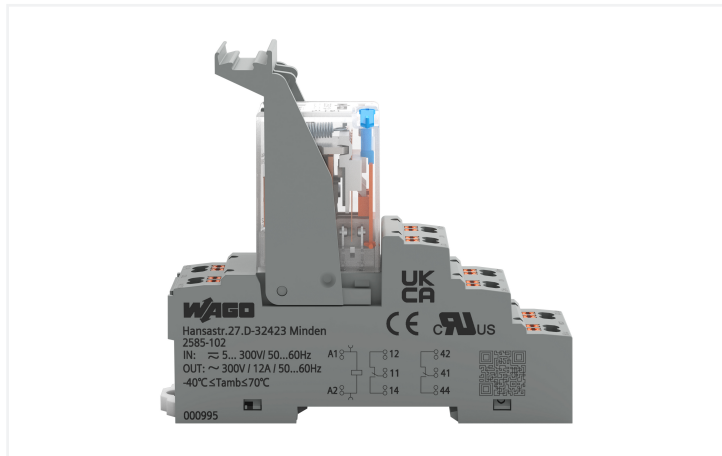
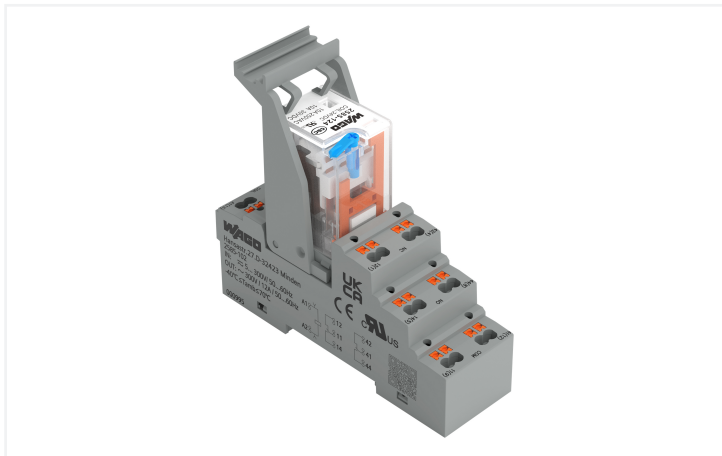


# Data Sheet | Item Number: 2585-324




Relay module; Nominal input voltage: 24 VDC; 2 changeover contacts; Limiting continuous current: 6 A; with manual operation; Set of relay socket and elementary relay; Yellow status indicator; Module width: 27 mm



<https://www.wago.com/2585-324>



This item includes:

		
<b>Item No.: 858-110</b> 1	<b>Item No.: 2585-102</b> 1	<b>Item No.: 2585-124</b> 1
Ejector; for basic relays 25 mm x 35 mm	Relay socket; 2 changeover contacts	Basic relay; Nominal input voltage: 24 VDC; 2 changeover contacts; Limiting continuous current: 10 A; with manual operation; Module width: 21 mm; Module height: 35mm

Technical data

Control circuit

Nominal input voltage $U_N$	24 VDC
Input voltage range	-20 ... +10 %
Nominal input current at $U_N$	37 mA

Load circuit

Number of changeover/switchover contacts	2
Contact material (relay)	AgSnO <sub>2</sub>
Limiting continuous current	6 A
Switching Voltage, Max.	250 VAC; 30 VDC
Switching power (resistive) max.	AC 1500 VA; DC 180 W
Switching capacity	AC-15: 3 A / 250 VAC; DC-13: 2 A / 30 VDC
Recommended minimum load	5 V / 100 mA
Pull-in time (typ.)	25 ms
Drop-out time (typ.)	25 ms
Electrical life (NO; resistive load; 23 °C)	100 x 10 <sup>3</sup> switching operations
Mechanical life	10 x 10 <sup>6</sup> switching operations

Signaling

Status indicator	Yellow LED Mechanical
------------------	--------------------------

Safety and protection

Rated Voltage	300 V
Rated impulse withstand voltage	2.5 kV
Overvoltage category	II
Pollution degree	2
Dielectric strength (control/load circuit) (AC, 1 min)	2.5 kVrms
Dielectric strength (open contact) (AC, 1 min)	1.5 kVrms
Dielectric strength (load/load circuit) (AC, 1 min)	2.5 kVrms
Insulation type (open contact)	Functional insulation
Insulation type (load/load circuit)	Basic insulation
Insulation type (adjacent devices)	Reinforced insulation (safe isolation)
Protection type	IP20

Connection Data

Connection technology	Push-in
Solid conductor	0.25 ... 2.5 mm <sup>2</sup> / 22 ... 14 AWG
Fine-stranded conductor	0.25 ... 2.5 mm <sup>2</sup> / 22 ... 14 AWG
Strip length	10 ... 11 mm / 0.39 ... 0.43 inches
Note (conductor cross-section)	2 x 0.34 ... 2 x 1.5 mm <sup>2</sup> / 1 x 2.5 mm <sup>2</sup> / 2 x 22 ... 2 x 16 AWG

### Physical data

Width	26.8 mm / 1.06 inches
Height	92.5 mm / 3.64 inches
Depth from upper-edge of DIN-rail	78 mm / 3.07 inches

### Mechanical data

Mounting type	DIN-35 rail
Mounting position	horizontal (standing/lying); vertical

### Material data

Note (material data)	<a href="#">Information on material specifications can be found here</a>
Fire load	0 MJ
Weight	95.7 g

### Environmental requirements

Ambient temperature (operation at $U_N$ )	-40 ... +55 °C
Ambient temperature (storage)	-40 ... +70 °C
Processing temperature	-25 ... +50 °C
Temperature range of connection cable	$\geq (T_{\text{ambient}} + 25 \text{ K})$
Relative humidity	20 ... 80 % (no condensation permissible)
Operating altitude (max.)	2000 m

### Standards and Specifications

Standards/specifications	EN 60947-5-1
--------------------------	--------------

### Basic relay

WAGO Basic Relay	2585-124
------------------	----------

### Commercial data

PU (SPU)	10 pcs
Packaging type	Box
Country of origin	CN
GTIN	4066966667110
Customs tariff number	85364900990

### Product Classification

UNSPSC	39122334
ETIM 9.0	EC001437
ETIM 10.0	EC001437
ECCN	NO US CLASSIFICATION

Environmental Product Compliance	
RoHS Compliance Status	Compliant, No Exemption

## Approvals / Certificates

### Declarations of conformity and manufacturer's declarations

Approval	Standard	Certificate Name
EU-Declaration of Conformity WAGO GmbH & Co. KG	-	-
UK-Declaration of Conformity WAGO GmbH & Co. KG	-	-

## 1 Compatible Products

### 1.1 Optional Accessories

#### 1.1.1 Basic relay

##### 1.1.1.1 Basic relay



**Item No.: 2585-124**  
Basic relay; Nominal input voltage: 24 VDC; 2 changeover contacts; Limiting continuous current: 10 A; with manual operation; Module width: 21 mm; Module height: 35mm

#### 1.1.2 Ferrule

##### 1.1.2.1 Ferrule



**Item No.: 216-241**  
Ferrule; Sleeve for 0.5 mm<sup>2</sup> / 20 AWG; insulated; electro-tin plated; electrolytic copper; gastight crimped; acc. to DIN 46228, Part 4/09.90; white



**Item No.: 216-242**  
Ferrule; Sleeve for 0.75 mm<sup>2</sup> / 18 AWG; insulated; electro-tin plated; electrolytic copper; gastight crimped; acc. to DIN 46228, Part 4/09.90; gray



**Item No.: 216-243**  
Ferrule; Sleeve for 1 mm<sup>2</sup> / AWG 18; insulated; electro-tin plated; electrolytic copper; gastight crimped; acc. to DIN 46228, Part 4/09.90; red



**Item No.: 216-244**  
Ferrule; Sleeve for 1.5 mm<sup>2</sup> / AWG 16; insulated; electro-tin plated; electrolytic copper; gastight crimped; acc. to DIN 46228, Part 4/09.90; black

#### 1.1.3 Jumper

##### 1.1.3.1 Jumper



**Item No.: 2585-902**  
Jumper; 2-way; insulated

## 1.1.4 Marking

### 1.1.4.1 Marker



**Item No.: 793-5501**

WMB marking card; as card; for terminal block width 5 - 17.5 mm; stretchable 5 - 5.2 mm; plain; snap-on type; white



**Item No.: 793-501**

WMB marking card; as card; not stretchable; plain; snap-on type; white



**Item No.: 2009-115**

WMB-Inline; for Smart Printer; 1500 pieces on roll; stretchable 5 - 5.2 mm; plain; snap-on type; white

### 1.1.4.2 Marking strip



**Item No.: 2009-110**

Marking strips; for Smart Printer; on reel; not stretchable; plain; snap-on type; white

## 1.1.5 Tool

### 1.1.5.1 Operating tool



**Item No.: 210-719**

Operating tool; Blade: 2.5 x 0.4 mm; with a partially insulated shaft