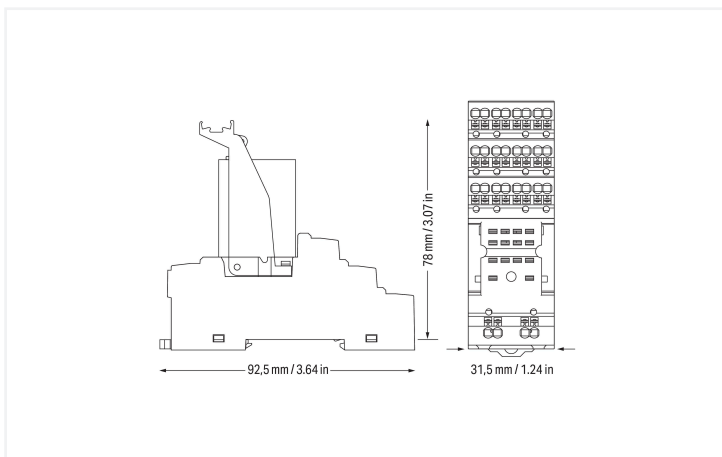
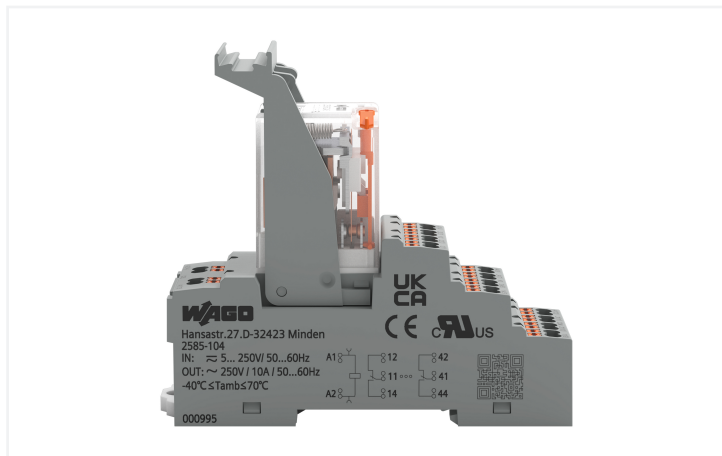
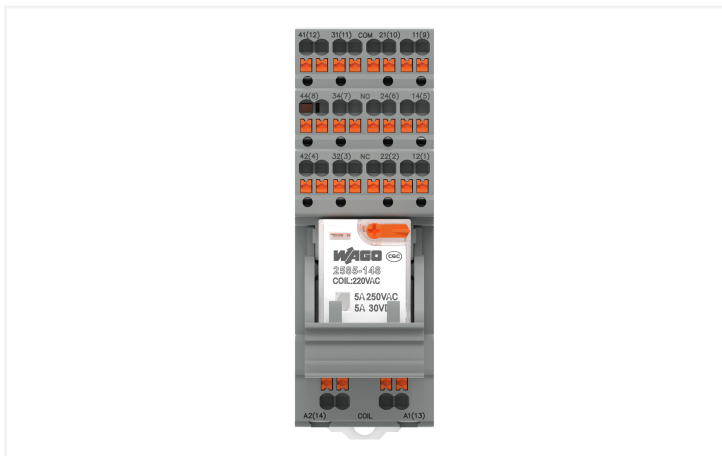
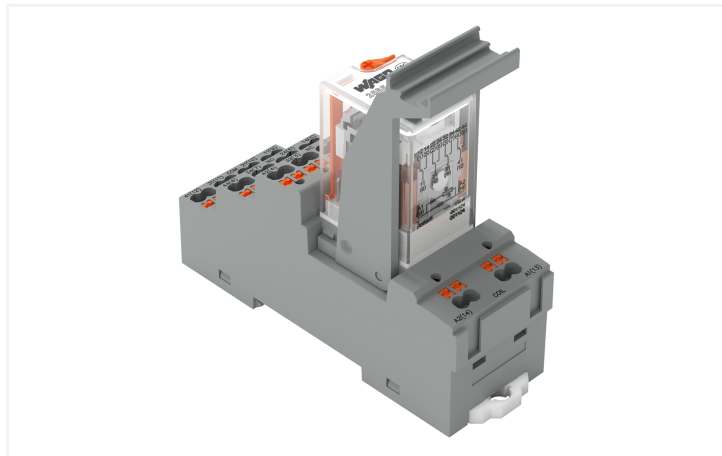
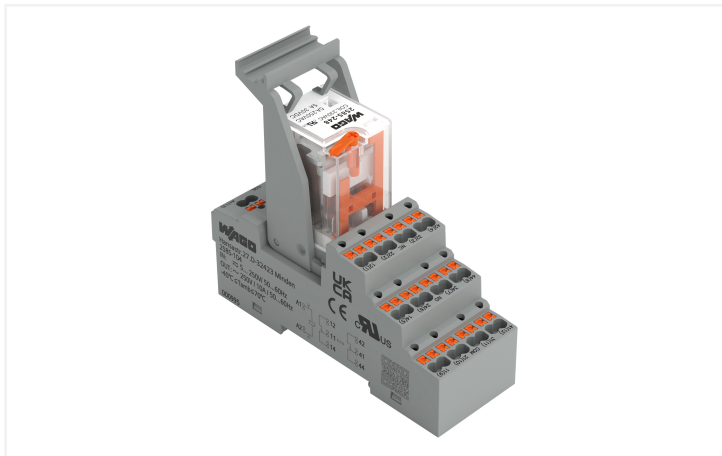


Data Sheet | Item Number: 2585-548

Relay module; Nominal input voltage: 230 VAC; 4 changeover contacts; Limiting continuous current: 5 A; with manual operation; Set of relay socket and elementary relay; Yellow status indicator; Module width: 31 mm



<https://www.wago.com/2585-548>



This item includes:



Item No.: 858-110

1

Ejector; for basic relays 25 mm x 35 mm

Item No.: 2585-104

1

Relay socket; 4 changeover contacts

Item No.: 2585-248

1

Basic relay; Nominal input voltage: 230 VAC; 4 changeover contacts; Limiting continuous current: 5 A; with manual operation; Module width: 21 mm; Module height: 35mm

Technical data

Control circuit

| | |
|--------------------------------|---------------|
| Nominal input voltage U_N | 230 VAC |
| Input voltage range | -20 ... +10 % |
| Nominal input current at U_N | 7.5 mA |

Load circuit

| | |
|---------------------------------------------|---------------------------------------------|
| Number of changeover/switchover contacts | 4 |
| Contact material (relay) | AgSnO ₂ |
| Limiting continuous current | 5 A |
| Switching Voltage, Max. | 250 VAC; 30 VDC |
| Switching power (resistive) max. | AC 1250 VA; DC 150 W |
| Switching capacity | AC-15: 1.5 A / 250 VAC; DC-13: 1 A / 30 VDC |
| Recommended minimum load | 5 V / 100 mA |
| Pull-in time (typ.) | 25 ms |
| Drop-out time (typ.) | 25 ms |
| Bounce time (typ.) | 4 ms |
| Electrical life (NO; resistive load; 23 °C) | 100 x 10 ³ switching operations |
| Mechanical life | 10 x 10 ⁶ switching operations |

Signaling

| | |
|------------------|--------------------------|
| Status indicator | Yellow LED Mechanical |
|------------------|--------------------------|

Safety and protection

| | |
|--------------------------------------------------------|----------------------------------------|
| Rated Voltage | 300 V |
| Rated impulse withstand voltage | 2.5 kV |
| Overvoltage category | II |
| Pollution degree | 2 |
| Dielectric strength (control/load circuit) (AC, 1 min) | 2.5 kVrms |
| Dielectric strength (open contact) (AC, 1 min) | 1.5 kVrms |
| Dielectric strength (load/load circuit) (AC, 1 min) | 1.5 kVrms |
| Insulation type (open contact) | Functional insulation |
| Insulation type (load/load circuit) | Basic insulation |
| Insulation type (adjacent devices) | Reinforced insulation (safe isolation) |
| Protection type | IP20 |

Connection Data

| | |
|--------------------------------|----------------------------------------------------------------------------------------|
| Connection technology | Push-in |
| Solid conductor | 0.25 ... 2.5 mm ² / 22 ... 14 AWG |
| Fine-stranded conductor | 0.25 ... 2.5 mm ² / 22 ... 14 AWG |
| Strip length | 10 ... 11 mm / 0.39 ... 0.43 inches |
| Note (conductor cross-section) | 2 x 0.34 ... 2 x 1.5 mm ² / 1 x 2.5 mm ² / 2 x 22 ... 2 x 16 AWG |

Physical data

| | |
|-----------------------------------|-----------------------|
| Width | 31.5 mm / 1.24 inches |
| Height | 92.5 mm / 3.64 inches |
| Depth from upper-edge of DIN-rail | 78 mm / 3.07 inches |

Mechanical data

| | |
|-------------------|---------------------------------------|
| Mounting type | DIN-35 rail |
| Mounting position | horizontal (standing/lying); vertical |

Material data

| | |
|----------------------|--------------------------------------------------------------------------|
| Note (material data) | Information on material specifications can be found here |
| Fire load | 0 MJ |
| Weight | 110 g |

Environmental requirements

| | |
|-------------------------------------------|--------------------------------------------|
| Ambient temperature (operation at U_N) | -40 ... +55 °C |
| Ambient temperature (storage) | -40 ... +70 °C |
| Processing temperature | -25 ... +50 °C |
| Temperature range of connection cable | $\geq (T_{\text{ambient}} + 25 \text{ K})$ |
| Relative humidity | 20 ... 80 % (no condensation permissible) |
| Operating altitude (max.) | 2000 m |

Standards and Specifications

| | |
|--------------------------|--------------|
| Standards/specifications | EN 60947-5-1 |
|--------------------------|--------------|

Basic relay

| | |
|------------------|----------|
| WAGO Basic Relay | 2585-248 |
|------------------|----------|

Commercial data

| | |
|-----------------------|---------------|
| PU (SPU) | 10 pcs |
| Packaging type | Box |
| Country of origin | CN |
| GTIN | 4066966667226 |
| Customs tariff number | 85364900990 |

Product Classification

| | |
|-----------|----------------------|
| UNSPSC | 39122334 |
| ETIM 9.0 | EC001437 |
| ETIM 10.0 | EC001437 |
| ECCN | NO US CLASSIFICATION |

Environmental Product Compliance

RoHS Compliance Status

Compliant, No Exemption

Approvals / Certificates

Declarations of conformity and manufacturer's declarations

| Approval | Standard | Certificate Name |
|----------------------------------------------------|----------|------------------|
| EU-Declaration of Conformity WAGO GmbH & Co. KG | - | - |
| UK-Declaration of Conformity WAGO GmbH & Co. KG | - | - |

1 Compatible Products

1.1 Optional Accessories

1.1.1 Basic relay

1.1.1.1 Basic relay



Item No.: 2585-248

Basic relay; Nominal input voltage: 230 VAC; 4 changeover contacts; Limiting continuous current: 5 A; with manual operation; Module width: 21 mm; Module height: 35mm

1.1.2 Ferrule

1.1.2.1 Ferrule



Item No.: 216-241

Ferrule; Sleeve for 0.5 mm² / 20 AWG; insulated; electro-tin plated; electrolytic copper; gastight crimped; acc. to DIN 46228, Part 4/09.90; white



Item No.: 216-242

Ferrule; Sleeve for 0.75 mm² / 18 AWG; insulated; electro-tin plated; electrolytic copper; gastight crimped; acc. to DIN 46228, Part 4/09.90; gray



Item No.: 216-243

Ferrule; Sleeve for 1 mm² / AWG 18; insulated; electro-tin plated; electrolytic copper; gastight crimped; acc. to DIN 46228, Part 4/09.90; red



Item No.: 216-244

Ferrule; Sleeve for 1.5 mm² / AWG 16; insulated; electro-tin plated; electrolytic copper; gastight crimped; acc. to DIN 46228, Part 4/09.90; black

1.1.3 Jumper

1.1.3.1 Jumper



Item No.: 2585-904

Jumper; 2-way; insulated

1.1.4 Marking

1.1.4.1 Marker



Item No.: 793-5501

WMB marking card; as card; for terminal block width 5 - 17.5 mm; stretchable 5 - 5.2 mm; plain; snap-on type; white



Item No.: 793-501

WMB marking card; as card; not stretchable; plain; snap-on type; white



Item No.: 2009-115

WMB-Inline; for Smart Printer; 1500 pieces on roll; stretchable 5 - 5.2 mm; plain; snap-on type; white

1.1.4.2 Marking strip



Item No.: 2009-110

Marking strips; for Smart Printer; on reel; not stretchable; plain; snap-on type; white

1.1.5 Tool

1.1.5.1 Operating tool



Item No.: 210-719

Operating tool; Blade: 2.5 x 0.4 mm; with a partially insulated shaft