



## LINEA: Volume dimmer white

### 30439.B

Wiring devices / Traditional wiring devices / LINEA / Devices

#### Volume dimmer white

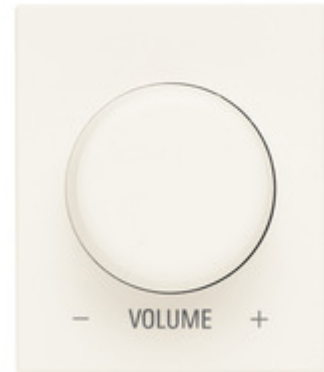
Volume control 8 Ohm 15 W for speaker, faston or solder terminals, white - 2 modules

#### Product Status

3 - Active

#### Minimum order quantity

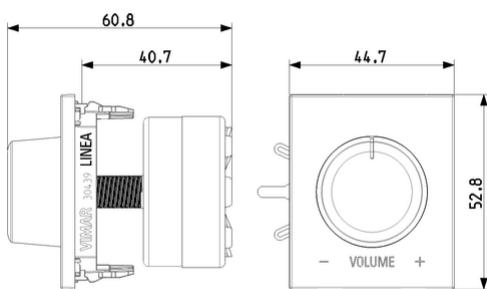
10 NR



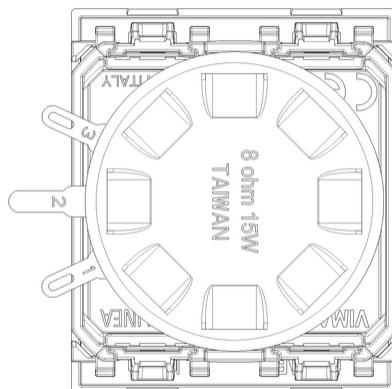
## Sheets, Manuals, Documentation

- [Light Multilanguage instructions sheet \(821 kb\)](#)
- [Full Multilanguage instructions sheet \(633 kb\)](#)

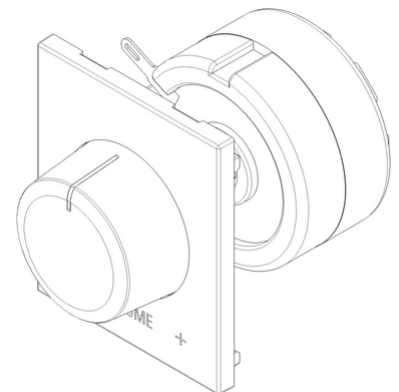
## Drawings



Space view



Backside view



3D View

## Certifications

- 00. CE Marking - EU
- 00. CE Marking - EU
- 37. Marking - Morocco
- 99. WEEE Directive ([download](#))

## Technical data

**Class group:** Domestic switching devices

**Class:** Push button

**Model:** Other

**Operating method:** Turn button

**Number of contacts as normally closed contact:** 0

**Number of contacts as normally open contact:** 0

**Number of contacts as change-over contact:** 0

**Number of revolving contacts:** 0

**Contactless type:** No

**Number of rockers:** 0

**Number of modules (module system):** 200

**Number of poles:** 0

**With lighting:** No

**With light source:** No

**With signal lamp:** No

**Monitoring contact:** No

**Connection type:** Other

**Mounting method:** Built-in

**Type of fastening:** Engage (snap)

**Material:** Plastic

**Material quality:** Thermoplastic

**Halogen free:** Yes

**Anti-bacterial treatment:** No

**Surface protection:** Untreated

**Surface finishing:** Matt

**Colour:** White

**RAL-number (similar):** 9016

**Transparent:** No

**Label space/information surface:** No

**Imprint:** Other

**Suitable for degree of protection (IP):** IP40

**Impact strength:** Other

**Device width:** 44,70 mm

**Device height:** 52,80 mm

**Device depth:** 55,80 mm

**Compatible with Apple HomeKit:** No

**Compatible with Google Assistant:** No

**Compatible with Amazon Alexa:** No

**IFTTT support available:** No

## Packaging



8007352700895

**Qtà** 1 NR

**Dim** 6x5.4x5.2 [cm]

**Weight** 65.5 [g]



8007352787322

**Qtà** 5 NR

**Dim** 21.4x11x6 [cm]

**Weight** 366.65 [g]



8007352700901

**Qtà** 10 NR

**Dim** 28.1x13.1x6 [cm]

**Weight** 733.3 [g]

## Legal

Vimar reserves the right to change at any time and without notice the characteristics of the products reported. Installation should be carried out by qualified staff in compliance with the current regulations regarding the installation of electrical equipment in the country where the products are installed. For the terms of use of the information on the product info sheet see [Conditions of Use](#).