



LINEA: Volume dimmer canvas

30439.C

Wiring devices / Traditional wiring devices / LINEA / Devices

Volume dimmer canvas

Volume control 8 Ohm 15 W for speaker, faston or solder terminals, canvas - 2 modules

Product Status

3 - Active

Minimum order quantity

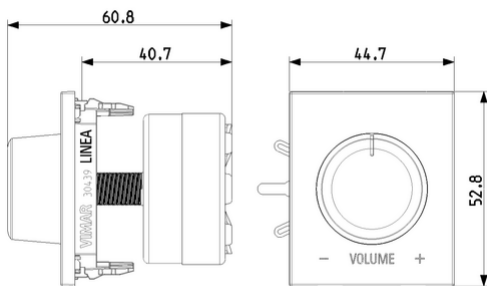
10 NR



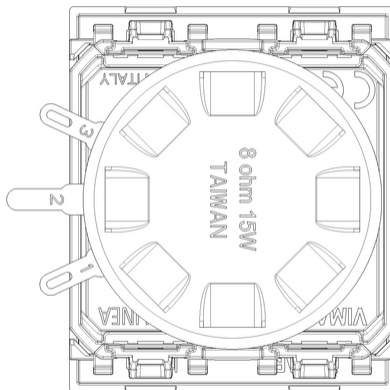
Sheets, Manuals, Documentation

- [Light Multilanguage instructions sheet \(821 kb\)](#)
- [Full Multilanguage instructions sheet \(633 kb\)](#)

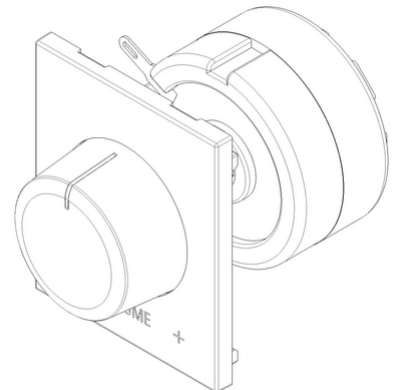
Drawings



Space view



Backside view



3D View

Certifications

- 00. CE Marking - EU
- 00. CE Marking - EU
- 37. Marking - Morocco
- 99. WEEE Directive ([download](#))

Technical data

Class group: Domestic switching devices

Class: Push button

Model: Other

Operating method: Turn button

Number of contacts as normally closed contact: 0

Number of contacts as normally open contact: 0

Number of contacts as change-over contact: 0

Number of revolving contacts: 0

Contactless type: No

Number of rockers: 0

Number of modules (module system): 200

Number of poles: 0

With lighting: No

With light source: No

With signal lamp: No

Monitoring contact: No

Connection type: Other

Mounting method: Built-in

Type of fastening: Engage (snap)

Material: Plastic

Material quality: Thermoplastic

Halogen free: Yes

Anti-bacterial treatment: No

Surface protection: Untreated

Surface finishing: Matt

Colour: Beige

RAL-number (similar): 7032

Transparent: No

Label space/information surface: No

Imprint: Other

Suitable for degree of protection (IP): IP40

Impact strength: Other

Device width: 44,70 mm

Device height: 52,80 mm

Device depth: 55,80 mm

Compatible with Apple HomeKit: No

Compatible with Google Assistant: No

Compatible with Amazon Alexa: No

IFTTT support available: No

Packaging



8007352700918

Qtà 1 NR

Dim 6x5.4x5.2 [cm]

Weight 65.5 [g]



8007352787339

Qtà 5 NR

Dim 21.4x11x6 [cm]

Weight 366.65 [g]



8007352700925

Qtà 10 NR

Dim 28.1x13.1x6 [cm]

Weight 733.3 [g]

Legal

Vimar reserves the right to change at any time and without notice the characteristics of the products reported. Installation should be carried out by qualified staff in compliance with the current regulations regarding the installation of electrical equipment in the country where the products are installed. For the terms of use of the information on the product info sheet see [Conditions of Use](#).