



## IP: Bullet IP 6Mpx FF cam - 2,8mm Color

---

### 4621.028GC

Safety / ELVOX CCTV / IP / Cameras

### Bullet IP 6Mpx FF cam - 2,8mm Color

IP Bullet camera, CMOS 1/2.5" sensor, 6 Mpx resolution (3200x1800), 2.8mm fixed focus lens, mechanical IR filter, H.265+ Multistream compression, PoE or 12 VDC power supply, SD CARD slot, colour viewing in the dark with white LEDs 20-30 m and b&w with IR 20-30 m, AV, WDR, ROI, 3DNR, HLC, BLC, Mask, Motion, Smart IR, RTSP functions, ONVIF protocol, protection degree IP67. Dimensions: 75x75x168 mm. Weight 435 g



### Product Status

3 - Active

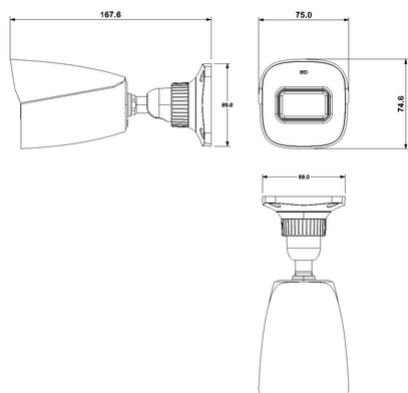
### Minimum order quantity

1 NR

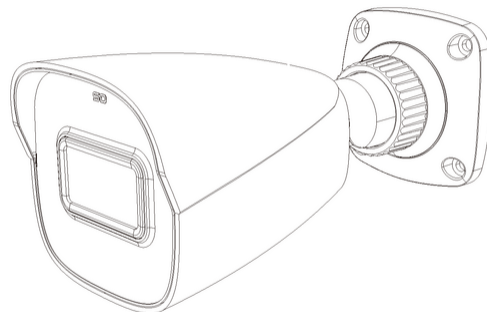
## Sheets, Manuals, Documentation

- [Multilanguage instructions sheet \(592 kb\)](#)
- [Video Analysis Configuration on IP cam. \(9120 kb\)](#)
- [IP camera management - Installer manual \(15380 kb\)](#)

## Drawings



Space view



3D View

## Certifications

- 00. CE Marking - EU
- 37. Marking - Morocco
- 45. NDAA compliant ([download](#))
- 46. UK PSTI compliance ([download](#))
- 99. WEEE Directive ([download](#))

## Technical data

**Class group:** Alarm installations, emergency call and signalling

**Class:** Camera for surveillance system

**Model:** Standard (Fixed)

**Construction type:** Bullet shape

**Thermal camera:** No

**Number of pixels (Megapixel):** 6

**With lens:** Yes

**Modular (lens and camera separated):** No

**Focal size:** 0,00 - 2,80 mm

**Shutter control:** DC

**Lens connection:** Other

**Motor zoom:** No

**Suitable for wall mounting:** Yes

**Suitable for ceiling mounting:** Yes

**Suitable for corner mounting:** No

**Suitable for surface mounting:** Yes

**Flush-mounted installation/built-in installation:** No

**Suitable for outdoor use:** Yes

**Communication medium wired:** Yes

**Communication medium wireless:** No

**Type of interface:** Wi-Fi

**Protocol:** TCP/IP

**Power over Ethernet (PoE):** 802.3af (PoE)

**Picture system:** PAL

**Frame rate:** 25

**Property picture system:** Colour

**With infrared lighting:** Yes

**Max. infrared reach:** 50 m

**With white light:** Yes

**Max. white light reach:** 30 m

**Supports H.264 codec:** Yes

**Supports H.265 codec:** Yes

**Supports Motion JPEG codec:** Yes

**Supports MPEG-4 codec:** No

**With video motion detector:** Yes

**With integrated AI analysis:** Yes

**With slot for memory card:** Yes

**With memory card:** No

**Memory capacity:** 256

**Number of digital inputs:** 0

**Number of digital outputs:** 0

**Number of audio inputs:** 1

**Number of audio outputs:** 0

**With integrated audio analysis:** No

**HDMI-connection:** No

**Mini HDMI-connection:** No

**VGA-connection (D-Sub 15-pole):** No

**DVI-connection:** No

**BNC-connection:** No

**DisplayPort-connection:** No

**Mini DisplayPort:** No

**S-Video-connection:** No

**USB-C-connection:** No

**Vandal proof:** No

**Impact strength:** Other

**Degree of protection (IP):** IP67

**Horizontal field of view:** 0,00 - 104,00

**With microphone:** Yes

**With loudspeaker:** No

**Power consumption:** 4,00 W

**Supply voltage:** 12,00 - 12,01 V

**Voltage type:** DC

**Colour:** White

**Diameter:** 75,00 mm

**Height:** 75,00 mm

**Width:** 75,00 mm

**Depth:** 168,00 mm

**Compatible with Apple HomeKit:** No

**Compatible with Google Assistant:** No

**Compatible with Amazon Alexa:** No

**IFTTT support available:** No

## Packaging



8007352766600

**Qtà** 1 NR

**Dim** 23x10.5x11 [cm]

**Weight** 557 [g]

## You may also be interested in



46917.005 - Pole bracket  
IP cams



46922.040 - IP camera  
contacts bracket

## Legal

Vimar reserves the right to change at any time and without notice the characteristics of the products reported. Installation should be carried out by qualified staff in compliance with the current regulations regarding the installation of electrical equipment in the country where the products are installed. For the terms of use of the information on the product info sheet see [Conditions of Use](#).