



Shared components: 4-button control 2M

01480

Smart systems&products / By-me Plus / Shared components /
Devices

4-button control 2M

4-button home automation device, RGB LED location in darkness
with brightness control, to be completed with interchangeable 1-
or 2-module Eikon, Arké or Plana half-buttons - 2 modules



Product Status

3 - Active

Minimum order quantity

1 NR

Sheets, Manuals, Documentation

- [Light multilanguage instructions sheet \(775 kb\)](#)
- [Full multilanguage instructions sheet \(785 kb\)](#)
- [By-me automation-fw Compatibility \(206 kb\)](#)

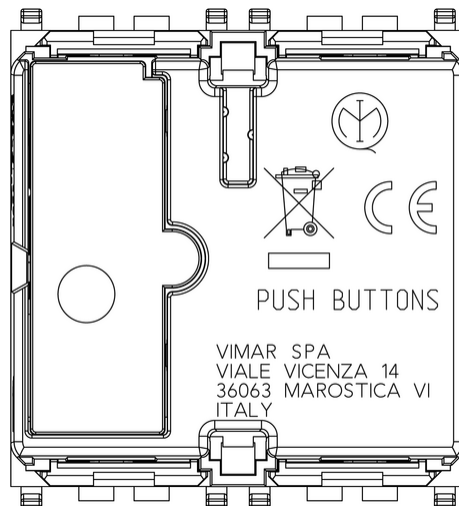
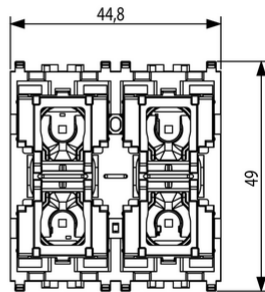
Gallery



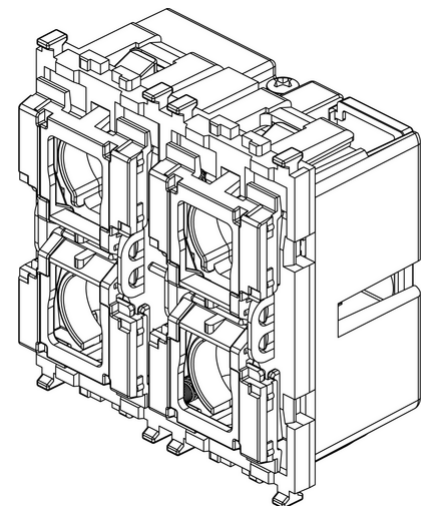
Drawings



Space view



Backside view



3D View

Certifications

- 00. CE Marking - EU
- 01. IMQ - Italy ([download](#))
- 37. Marking - Morocco
- 46. UK PSTI compliance ([download](#))
- 92. RoHS UAE
- 99. WEEE Directive ([download](#))

Technical data

Class group: Installation bus systems

Class: Multi operating device for bus system

Bus system KNX: No

Bus system KNX-RF (Radio Frequency): No

Bus system radio frequency: No

Bus system LON: No

Bus system Powernet: No

Radio frequency bidirectional: No

With display: No

Status-LED: Yes

IR sensor: No

Manual set point setting: No

Presence button: No

With integrated DCF77 receiver: No

With anti-theft/dismantling protection: No

Central functional unit for senders/actuators:
Yes

Material: Plastic

Material quality: Thermoplastic

Surface protection: Untreated

Surface finishing: Matt

Colour: Other

RAL-number (similar): 7024

Transparent: No

With bus connection: Yes

Packaging



8007352593404

Qtà 1 NR

Dim 6x5.4x5.3 [cm]

Weight 39 [g]



8007352633032

Qtà 60 NR

Dim 37.5x30x13.5 [cm]

Weight 2,660 [g]

You may also be interested in



14752.1 - 2 half buttons
2M ON/OFF symbol white



19751.1 - 2 half buttons
1M ON/OFF symbol grey



19752.1 - 2 half buttons
2M ON/OFF symbol grey



14751.1 - 2 half buttons
1M ON/OFF symbol white



20751.1 - 2 half buttons
1M ON/OFF symbol grey



20752.1 - 2 half buttons
2M ON/OFF symbol grey

Legal

Vimar reserves the right to change at any time and without notice the characteristics of the products reported. Installation should be carried out by qualified staff in compliance with the current regulations regarding the installation of electrical equipment in the country where the products are installed. For the terms of use of the information on the product info sheet see [Conditions of Use](#).