



EIKON: BUS EnOcean interface grey

20508

Smart systems&products / By-me Plus / EIKON / Devices

BUS EnOcean interface grey

EnOcean Bus interface, grey - 2 modules

Product Status

3 - Active

Minimum order quantity

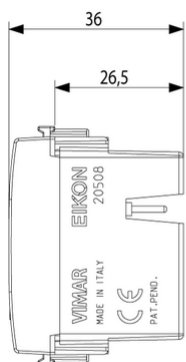
1 NR



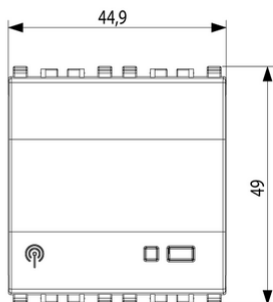
Sheets, Manuals, Documentation

- [Notice technique \(1684 kb\)](#)
- [Manual del instalador \(1684 kb\)](#)
- [Installer manual \(1679 kb\)](#)
- [Εγχειρίδιο τεχνικού εγκατάστασης \(1883 kb\)](#)
- [Installationsanleitung \(1682 kb\)](#)
- [By-me automation-fw Compatibility \(206 kb\)](#)

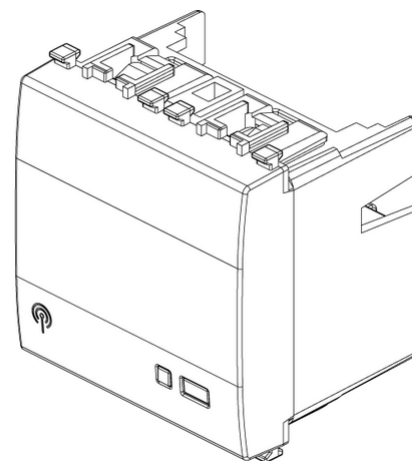
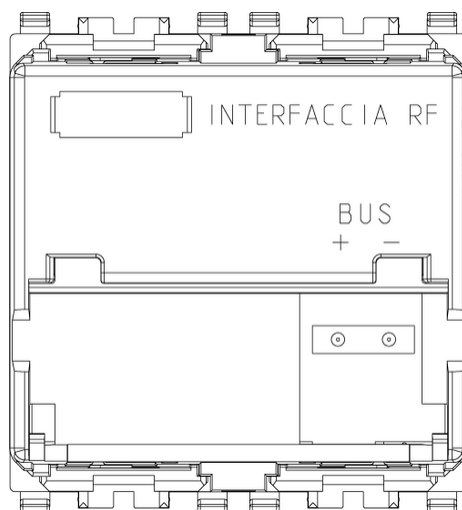
Drawings



Space view



Backside view



3D View

Certifications

- 00. CE Marking - EU ([download](#))
- 00. CE Marking - EU
- 19. NOM - Mexico
- 37. Marking - Morocco
- 46. UK PSTI compliance ([download](#))
- 92. RoHS UAE
- 96. Electrotechnical expert ([download](#))
- 99. WEEE Directive ([download](#))

Technical data

Class group: Installation bus systems

Class: Interface for bus system

Bus system KNX: No

Bus system KNX-RF (Radio Frequency): No

Bus system radio frequency: Yes

Bus system LON: No

Bus system Powernet: No

Other bus systems: Other

Radio frequency bidirectional: No

Model: Other

Mounting method: Flush-mounted

Width in number of modular spacings: 2

Material: Plastic

Material quality: Thermoplastic

Surface protection: Untreated

Surface finishing: Matt

Colour: Grey

RAL-number (similar): 7024

Transparent: No

With bus connection: Yes

With LED indication: Yes

Degree of protection (IP): IP40

Packaging



8007352362666

Qtà 1 NR

Dim 11.2x9.6x9.8
[cm]

Weight 122 [g]

You may also be interested in



03955 - EnOcean RF device



01796.2 - EnOcean 1-relay actuator

Legal

Vimar reserves the right to change at any time and without notice the characteristics of the products reported. Installation should be carried out by qualified staff in compliance with the current regulations regarding the installation of electrical equipment in the country where the products are installed. For the terms of use of the information on the product info sheet see [Conditions of Use](#).