



## EIKON: Frame for RF device grey

**22507**

Smart systems&products / Smart switch&sound / EIKON /  
Mounting frames

### Frame for RF device grey

Mounting frame for surface mounting of Ocean, Bluetooth, ZigBee radio controls to be completed with Eikon Exé 2-module cover plates, grey



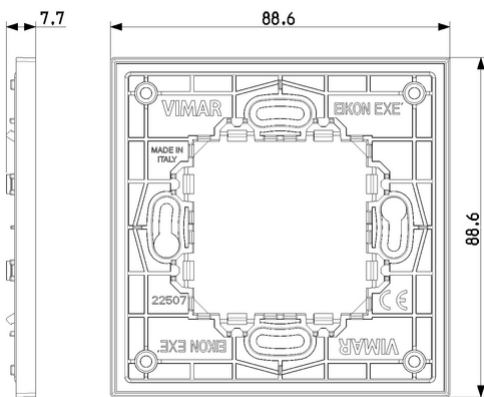
### Product Status

3 - Active

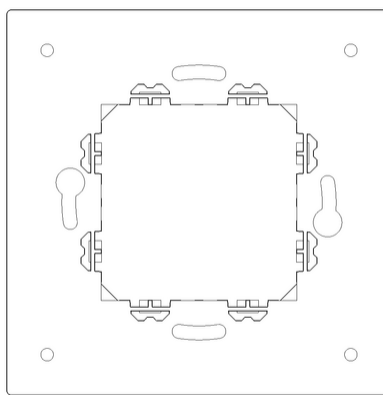
### Minimum order quantity

10 NR

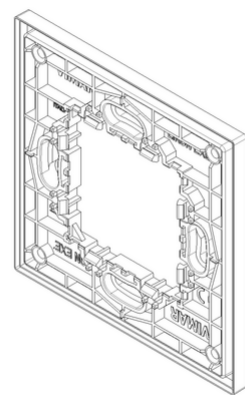
## Drawings



Space view



Backside view



3D View

## Certifications

- 00. CE Marking - EU

## Technical data

**Class group:** Domestic switching devices

**Class:** Holder for modular domestic switching devices

**Model:** Flush-mounted

**Type of fastening:** Other

**Mounting method of the module inserts:** Front side

**Mounting direction:** Horizontal and vertical

**Number of modules horizontal (module system):** 2

**Number of modules vertical (module system):** 1

**With built-in installation box:** No

**With screws:** No

**Suitable for mounting in round junction box 60 mm:** Yes

**Flush-mounted installation:** Yes

**Suitable for subfloor installation duct box:** No

**Suitable for wall duct:** No

**Suitable for mounting on DIN-rail 35 mm:** No

**Material:** Plastic

**Material quality:** Thermoplastic

**Surface protection:** Untreated

## Packaging



8 007352 614550

8007352614550

**Qtà** 1 NR

**Dim** 8.8x8.8x0.5 [cm]

**Weight** 25.29 [g]



8 007352 614567

8007352614567

**Qtà** 10 NR

**Dim** 19x14.3x9.5 [cm]

**Weight** 327.6 [g]

## Legal

Vimar reserves the right to change at any time and without notice the characteristics of the products reported. Installation should be carried out by qualified staff in compliance with the current regulations regarding the installation of electrical equipment in the country where the products are installed. For the terms of use of the information on the product info sheet see [Conditions of Use](#).