



EIKON: 2P+E 20A Brazilian SICURY outlet grey

20265

Wiring devices / Traditional wiring devices / EIKON / Devices

2P+E 20A Brazilian SICURY outlet grey

2P+E 20 A 250 V~ SICURY socket outlet, Brazilian standard, grey

Product Status

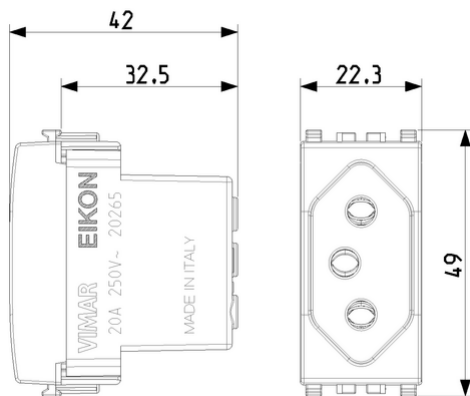
3 - Active

Minimum order quantity

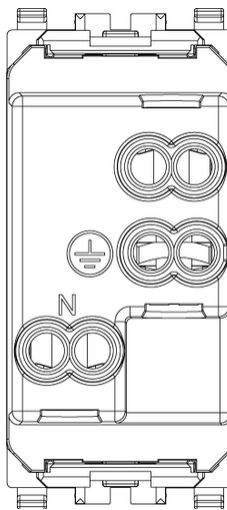
20 NR



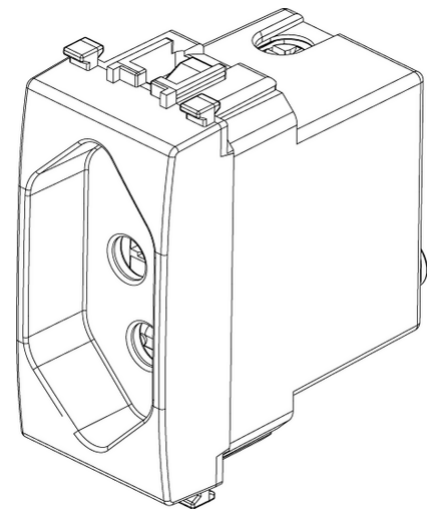
Drawings



Space view



Backside view



3D View

Certifications

- 00. CE Marking - EU
- 37. Marking - Morocco
- 96. Electrotechnical expert ([download](#))
- 99. WEEE Directive ([download](#))

Technical data

Class group: Domestic switching devices

Class: Socket outlet

Model: Other

Number of socket outlets: 1

Number of modules (module system): 1

Number of socket outlets switchable: 0

Imprint/indication: None

Connection type: Screwed terminal

With hinged lid: No

With enhanced contact protection: Yes

Label space/information surface: Yes

Colour: Grey

RAL-number (similar): 7024

Metallic colour: No

Transparent: No

Lockable: No

Eject-mechanism: No

Insulated mounting: No

With function lighting: No

Overvoltage protection: No

Fault current protection: No

Mounting method: Flush-mounted

Material: Plastic

Material quality: Thermoplastic

Halogen free: Yes

Surface protection: Untreated

Surface finishing: Matt

With loop through function: No

With on/off switch: No

Rotated central insert: No

Nominal current: 20 A

Nominal voltage: 250 V

Frequency: 50,00 - 60,00 HZ

Suitable for degree of protection (IP): IP20

Impact strength: Other

Device width: 22,30 mm

Device height: 49,00 mm

Device depth: 42,00 mm

Packaging



8007352358096

Qtà 1 NR

Dim 5.1x2.8x5.3 [cm]

Weight 30.5 [g]



8007352358102

Qtà 20 NR

Dim 27x11.6x6 [cm]

Weight 668.2 [g]

Legal

Vimar reserves the right to change at any time and without notice the characteristics of the products reported. Installation should be carried out by qualified staff in compliance with the current regulations regarding the installation of electrical equipment in the country where the products are installed. For the terms of use of the information on the product info sheet see [Conditions of Use](#).