

Niloé™ - Switch or two-way switch
Double two-way switch with or without indicator
Triple switch - Intermediate switch - Pushbutton
Multifunction controls
Roller blind and ventilation switch controls

Catalogue number(s): 664 301/503

664 701/702/704/705/708/709/710/711/713



664 714/715/791

664 801/802/805/808/809/810/811/813/814


664 891

2. RANGE (continued)

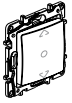

NO-NC pushbuttons - 6 A - 250 V~

	Description	Colour		Function	Connection
		White	Ivory		
	Switch	664 705	664 805	6 A NO-NC contact	Auto terminals
	Pushbutton with label-holder	664 715		Supplied with indicator light Cat. No. 665 090 and label with "doorbell", "padlock" and "bulb" pictogram	
	Double	664 708	664 808	2 contact blocks: 6 A NO-NC	

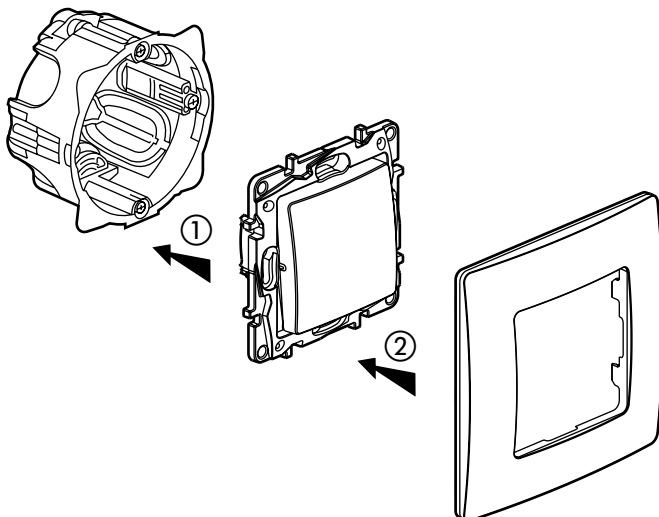
10 AX two-way switch + 6 A NO-NC pushbutton - 250 V~

	Description	Colour		Function	Connection
		White	Ivory		
	Two-way switch + pushbutton	664 709	664 809	Either single switch, or two-way switch and pushbutton	Auto terminals

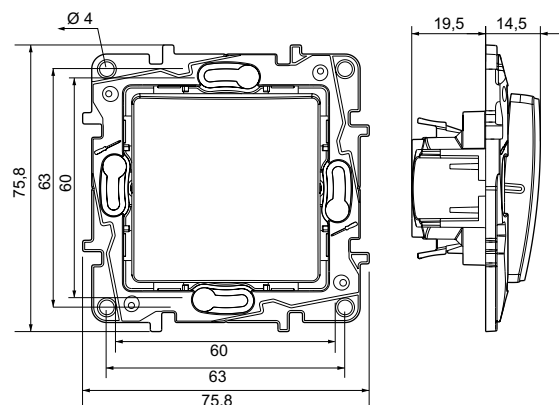
6 AX roller blind and 10 AX ventilation - 250 V~

	Roller blind switch	664 711	664 811	3-position switch Raise - Stop - Lower for direct motor control	Screw terminals
	Ventilation control	664 791	664 891	2-position switch Low or high speed for direct control of a centralised mechanical ventilation system	Auto terminals

3. POSITIONING



4. OVERALL DIMENSIONS



5. CONNECTION

The control functions have automatic terminals, except for the roller blind/intermediate switch and 3-gang switch functions, which have screw connections.

The automatic terminal release keys are grey (RAL 735).

Stripping length: 13 mm

Compatible with flexible or rigid cables.

Cable entries for the phase marked with red colour code.