

Pop-Up

Number(s) : 0 540 00 to 03, 0 540 05 to 08, 0 540 10 to 13,
0 540 15 to 18, 0 540 20 to 23, 0 540 26, 0 540 28, 0 540 31,
0 540 33 to 36, 0 540 40 to 43



| CONTENTS | PAGES |
|------------------------------|----------|
| 1. Range | 1 to 3 |
| 2. Installation | 4 to 11 |
| 3. Technical characteristics | 12 to 14 |
| 4. Example to Use | 15 |

1 RANGE.

- a solution for integrating wiring accessories in office furniture or in floor (5 finishes)
- products conform to NFC 61-314 / EN 60 670-1 / EN 60 670-23

| | | | |
|--------------|--|---|--|
| Desk/table | | <p>For safety reasons, the use of the installation kit is compulsory on the desk/table/raised floor</p> | <ul style="list-style-type: none"> - Power - Data Cat6 - AV |
| Raised floor | | | |
| Concrete | | <p>Use the backbox for concrete floor</p> | <ul style="list-style-type: none"> - Power |

Pop-Up

Number(s) : 0 540 00 to 03, 0 540 05 to 08, 0 540 10 to 13, 0 540 15 to 18, 0 540 20 to 23, 0 540 26, 0 540 28, 0 540 31, 0 540 33 to 36, 0 540 40 to 43

1 RANGE (continued)

Two types of Pop-up ;

Simple Pop-up :

3 modules :



4 modules :



Double Pop-up :

6 modules :



8 modules :



Compatibility power/dat :

| | Power | Data |
|----------------|-------|------------------|
| Concrete | yes | No |
| Raised floor | yes | Compatible Cat 6 |
| Furniture/desk | yes | Compatible Cat 6 |

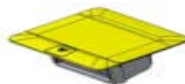
- pack by 1

Note : screw delivered with Pop-up.

16A 250 V~, 3680W at 230 V~ per circuit

1 RANGE (continued)

- 5 finishes available :



Brushed Brass



Matt Aluminium



Brushed Stainless steel



Matt Black




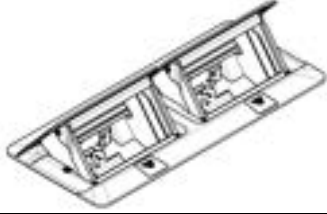


Glossy White



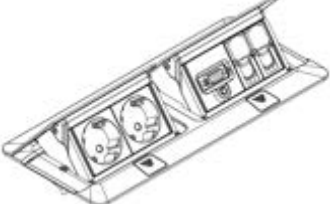
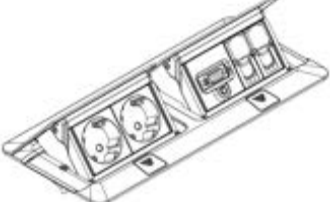
1 RANGE (continued)

Pop-up selection chart to be equipped:

- with Mosaic or Arteor wiring devices
- with 1 installation kit for raised floor/desk or with 1 backbox for concrete floor

| Finishes | 3 modules | 4 modules | 6 (2x3) modules | 8 (2x4) modules |
|-------------------------|---|---|--|---|
| |  |  |  |  |
| Brushed Brass | 0 540 15 | 0 540 16 | 0 540 17 | 0 540 18 |
| Matt Aluminium | 0 540 10 | 0 540 11 | 0 540 12 | 0 540 13 |
| Brushed Stainless steel | 0 540 20 | 0 540 21 | 0 540 22 | 0 540 23 |
| Matt Black | | 0 540 26 | | 0 540 28 |
| Glossy White | | 0 540 31 | | 0 540 33 |

Equipped Pop-up selection chart (installation kit included)

| Finishes | References | Pop-up |
|--|------------|--|
| Glossy White  | 0 540 44 | 4modules equipped with : 1 socket German standard 2P+E with 2m cord + 2 RJ 45 sockets Cat6 UTP with 3m cord |
| Brushed Stainless steel  | 0 540 45 | 4modules equipped with : 1 socket German standard 2P+E with 2m cord + 2 RJ 45 sockets Cat6 UTP with 3m cord |
| Glossy White  | 0 540 46 | 8 (2x4) modules equipped with : 2 sockets German standard 2P+E with 2m cord + 2 RJ 45 sockets Cat6 UTP with 3m cord + HD 15 jack |
| Brushed Stainless steel  | 0 540 47 | 8 (2x4) modules equipped with : 2 sockets German standard 2P+E with 2m cord + 2 RJ 45 sockets Cat6 UTP with 3m cord + HD 15 jack |

Pop-Up

Number(s) : 0 540 00 to 03, 0 540 05 to 08, 0 540 10 to 13, 0 540 15 to 18, 0 540 20 to 23, 0 540 26, 0 540 28, 0 540 31, 0 540 33 to 36, 0 540 40 to 43

2 INSTALLATION



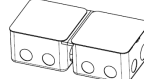
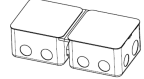
2.1 On concrete floor

Under concrete floor:

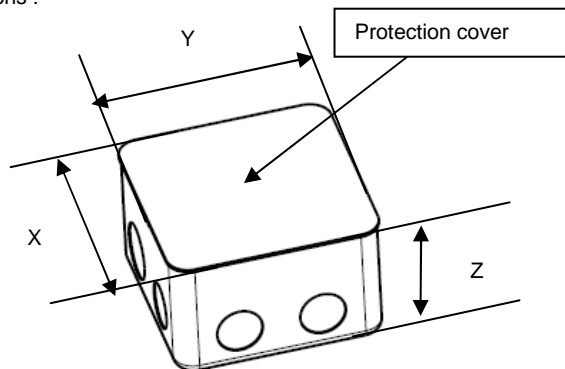
- minimum depth = 60mm

Use the backbox for concrete with conduits diameter 20mm

The backbox for concrete is delivered with protection cover:

| Pop-up 3mod | Pop-up 4mod | Pop-up 6 (2x3) mod | Pop-up 8 (2x4) mod |
|---|---|---|---|
|  |  |  |  |
| réf 0 540 00 | réf 0 540 01 | réf 0 540 02 | réf 0 540 03 |

Dimensions :



| | X(mm) | Y(mm) | Z(mm) |
|-------------|-------|-------|-------|
| 3 mod | 100 | 100 | 61.2 |
| 4 mod | 100 | 122 | 61.2 |
| 6 (2x3) mod | 100 | 210 | 61.2 |
| 8 (2x4) mod | 100 | 255 | 61.2 |

Note: the old flush-mounting boxes ref 6503 90/91/92 for floor boxes sockets are compatible with new Pop-up

Catalogue Export 2009/20011 on page 778;

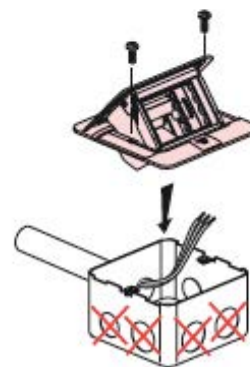
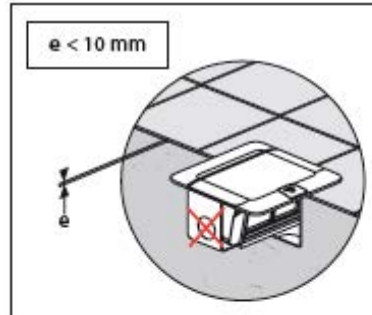
| | | Flush-mounting boxes for floor sockets |
|----|---------|--|
| 10 | 6503 90 | 3 modules - Plastic |
| 10 | 6503 31 | 2 x 3 modules |
| | | For floor box Cat.No 6503 49 - Plastic |
| 1 | 6503 32 | 3 modules (can be assembled with another Cat.No 6053 32 to compose a 2 x 3 modules box) Metallic |

2 INSTALLATION (continued)

2.1 On concrete floor (continued)

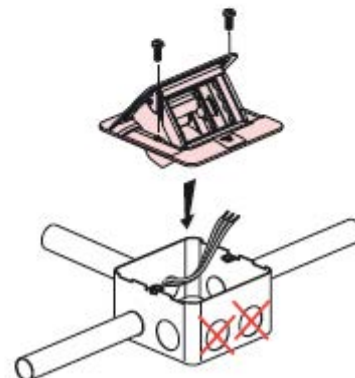
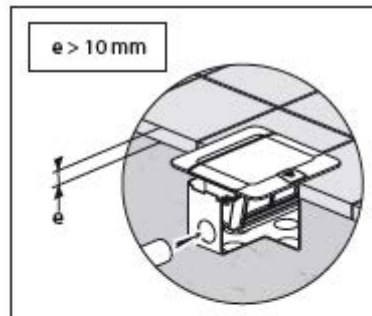
Note: IMPORTANT!

If $e < 10\text{mm}$, conduits diameter 20mm must enter the back box by the back side, for all boxes 3, 4, 6 and 8 modules



Note: IMPORTANT!

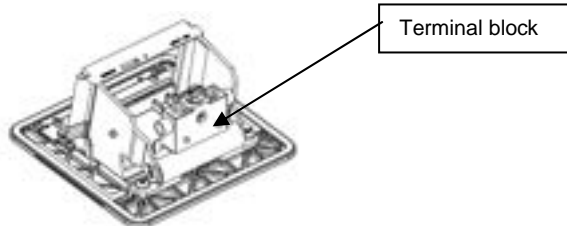
If $e > 10\text{mm}$, conduits diameter 20mm must enter the back box by the front side, for all boxes 3, 4, 6 and 8 modules



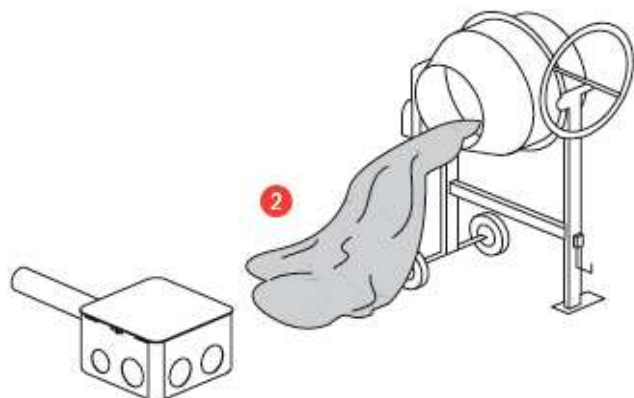
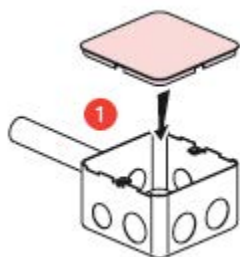
2 INSTALLATION (continued)

2.1 On concrete floor (continued)

Pop-up is delivered with terminal block.



(1) It is necessary to close the backbox for concrete using the protection cover delivered with before (2) pouring the concrete in order to prevent that the concrete to enter in the backbox



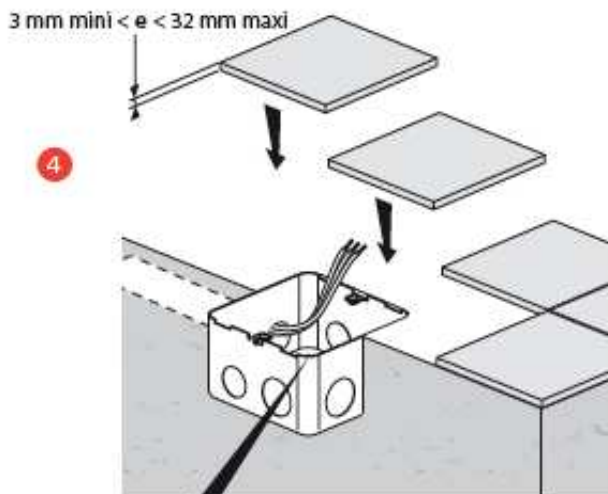
(3) Before the installation of pop-up, remove the cover protection delivered with the backbox



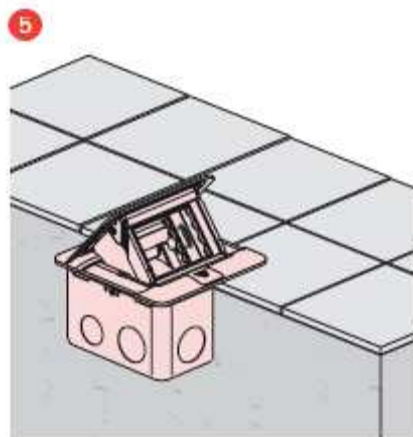
2 INSTALLATION (continued)

2.1 On concrete floor (continued)

(4) On concrete floor with the backbox, be careful during the installation of the backbox to the concrete floor. Before fitting coating, adjustment of the level (3mm mini)



(5) Installation of Pop-up on the concrete floor by screwing on the backbox



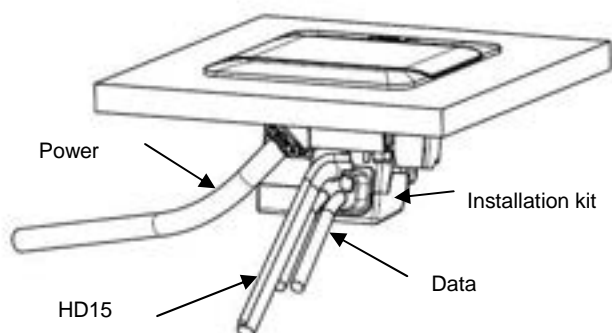
Pop-Up

Number(s) : 0 540 00 to 03, 0 540 05 to 08, 0 540 10 to 13, 0 540 15 to 18, 0 540 20 to 23, 0 540 26, 0 540 28, 0 540 31, 0 540 33 to 36, 0 540 40 to 43

2 INSTALLATION (continued)

2.2 On the desk or on the raised floor

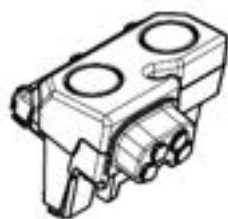
System overview.



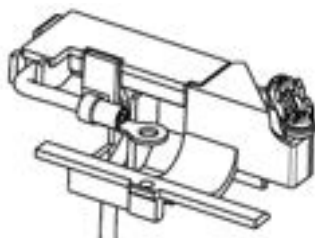
To fix on the raised floor/desk

| References | Installation kit for Pop-up |
|------------|----------------------------------|
| 0 540 05 | Installation kit 3modules |
| 0 540 06 | Installation kit 4modules |
| 0 540 07 | Installation kit 6(2x3) modules |
| 0 540 08 | Installation kit 8 (2x4) modules |

Composition :

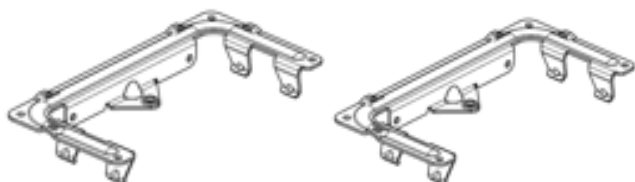


1 insulation unit



1 Clamp support

2 parts fixations supports

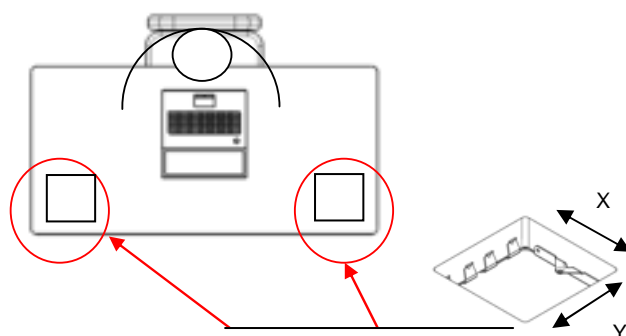


Fixations supports, allows to install the product directly on the raised floor/desk.

2 INSTALLATION (continued)

2.2 On the desk or on the raised floor (continued)

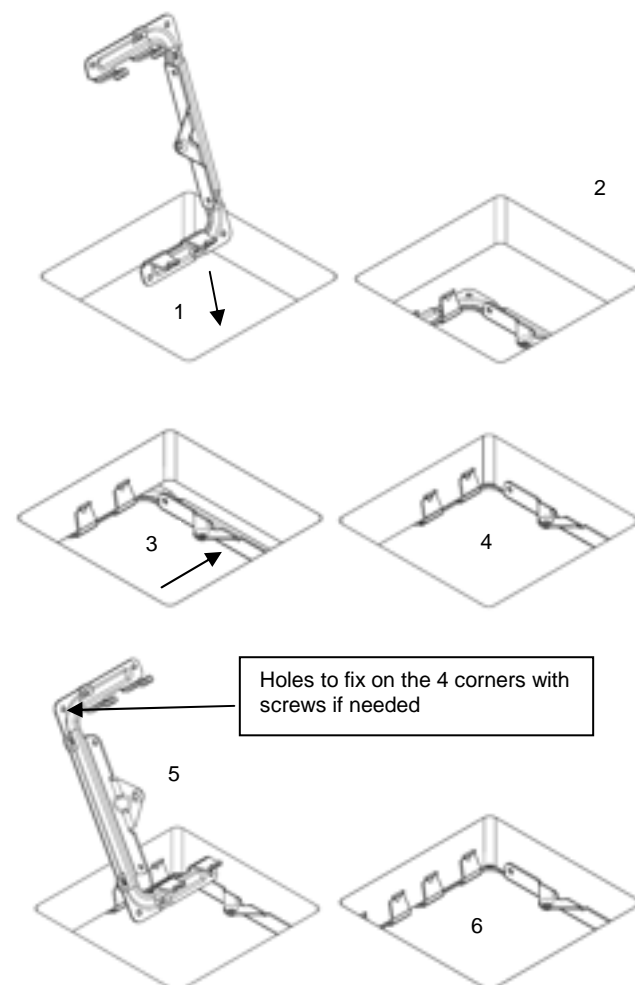
Cut the desk or raised floor :



| | X(mm) | Y(mm) |
|-------|--------------|--------------|
| 3 mod | 108 (+/-1mm) | 108 (+/-1mm) |
| 4 mod | 108 (+/-1mm) | 131 (+/-1mm) |
| 6 mod | 108 (+/-1mm) | 218 (+/-1mm) |
| 8 mod | 108 (+/-1mm) | 263 (+/-1mm) |

Minimum depth of desk plate 15mm (40mm max)

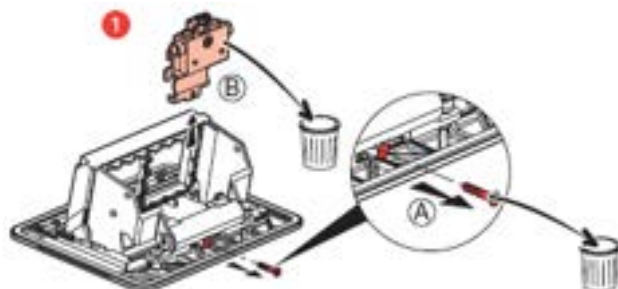
Positioning of the fixation supports in the desk



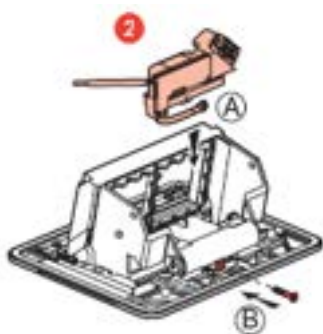
2 INSTALLATION (continued)

2.2 On the desk or on the raised floor (continued)

Before the installation of the kit, remove the terminal block delivered with the Pop-up (not to be used in this configuration)



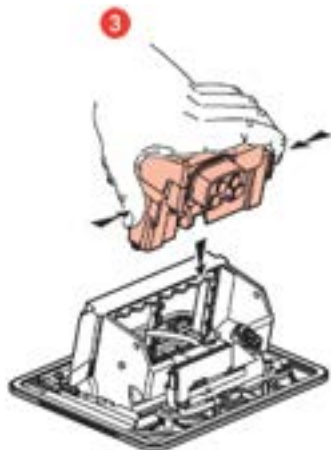
Please use the clamp support if you need power.



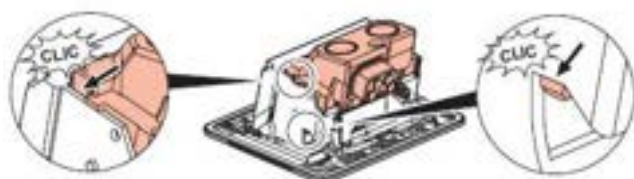
A : put the clamp support on the cylindrical dumper fix with the earthing screw
B : earth on the metal part on the Pop-up

Support clamp is not necessary if you use only data socket

Installation of the insulation unit.



Position your fingers as represented above, press the kit and insert it in the Pop-up until clic.



2 INSTALLATION (continued)

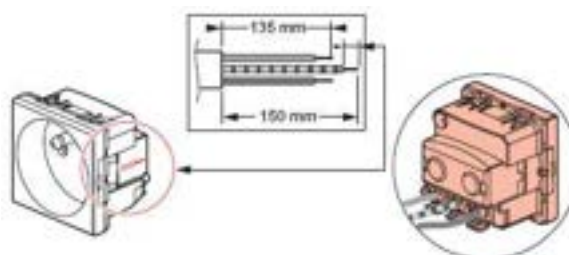
Installation for power sockets :

Assembly of the power cable in the Pop-up before the connection to wiring devices :

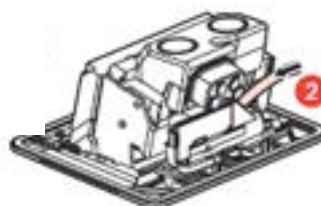
1- Remove the cable clamp



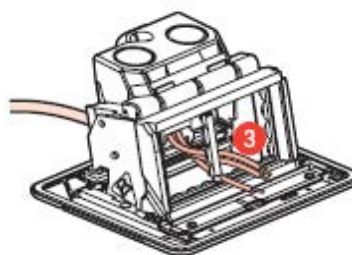
Wiring scheme with stripping :



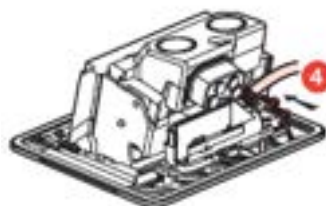
2- Insert the cable (please use only flexible cable) through the clamp support.



3- Let exceed only the stripped part of the cable inside the Pop-up



4- Lock the cable with the cable clamp



Connect the sockets cable before clipping on the support.

Pop-Up

Number(s) : 0 540 00 to 03, 0 540 05 to 08, 0 540 10 to 13, 0 540 15 to 18, 0 540 20 to 23, 0 540 26, 0 540 28, 0 540 31, 0 540 33 to 36, 0 540 40 to 43

2 INSTALLATION (continued)

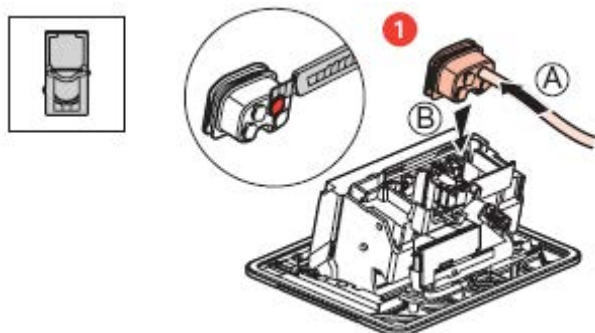
Installation for data sockets :

Assembly of the Ethernet cable for network in the Pop-up before the connection to RJ 45 sockets :

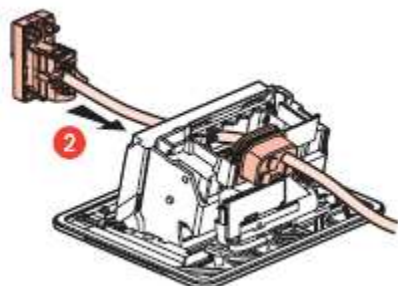
Remove the cable exit :



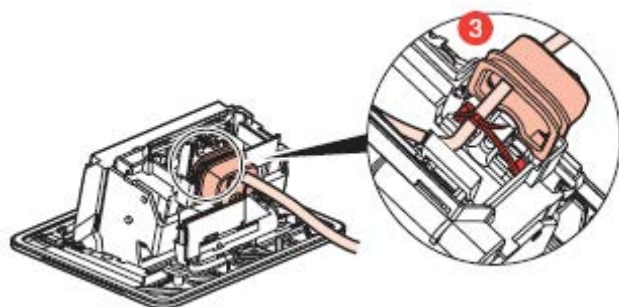
1- Cut out the protective cap according to the number of cable (4 max)



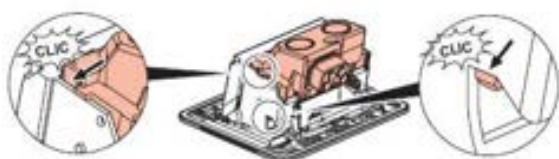
2- Pass the cables through the support to connect the sockets and clip them on the frame



3- Reposition the cable exit and block the cable using the cable tie.



Reassemble the cover with its screw to finalize the installation



2 INSTALLATION (continued)

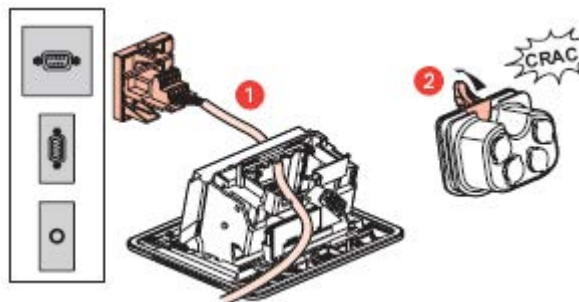
Installation for Audio/video sockets :

Assembly of the Audio cable in the Pop-up before the connection to HD 15 sockets :

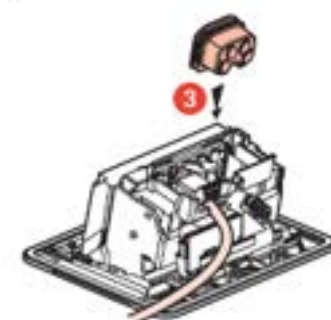
Remove the cable exit :



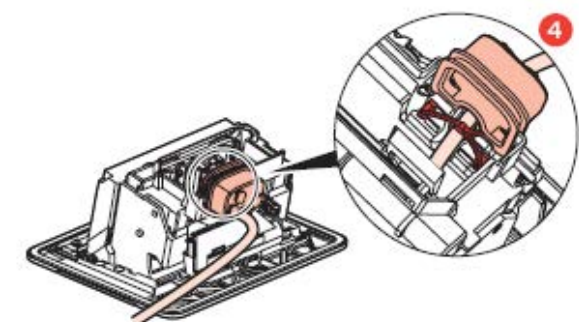
1- Pass the cable through the support to connect the HD 15 sockets
2- Break the strip allowing the passage of the cable



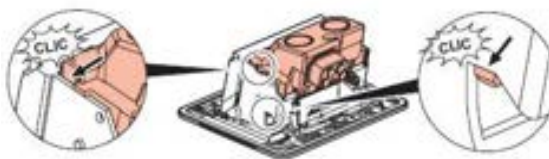
3- Position the cable in its receptacle and reposition the cable exit.



4- Lock the cable using the cable tie.



Reassemble the cover with its screw to finalize the installation



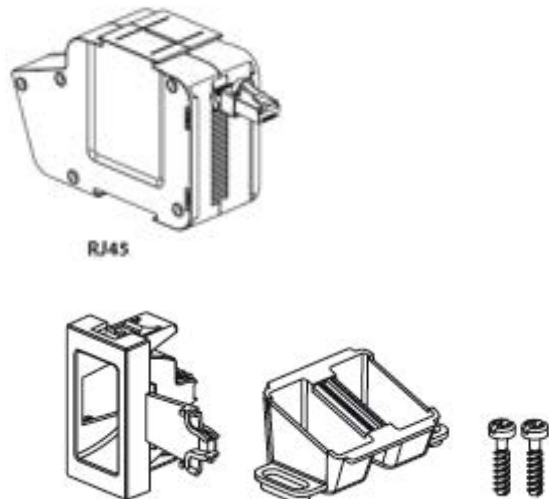
Note: in the case of audio/video mixed equipment (HD 15 + jack 3.5mm) equipped with two cords, proceed in the same way.

2 INSTALLATION (continued)

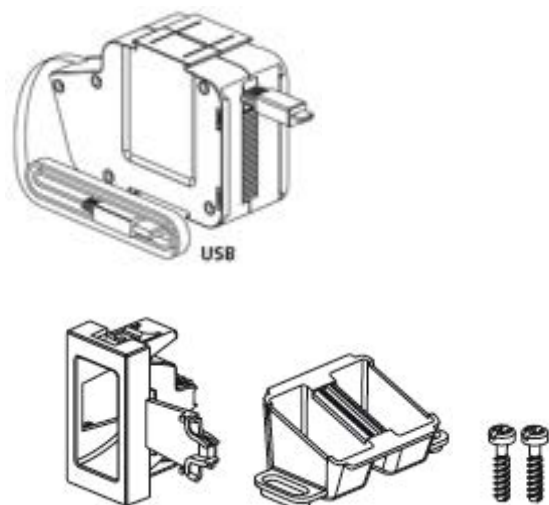
Installation kit with retractable cords :

| References | Installation kit with retractable cords |
|------------|---|
| 0 540 34 | Installation kit Cat.6 UTP |
| 0 540 35 | Installation kit Cat.6 FTP |
| 0 540 36 | Installation kit USB/micro USB |

Installation kit Cat.6 FTP/UTP with retractable cords :

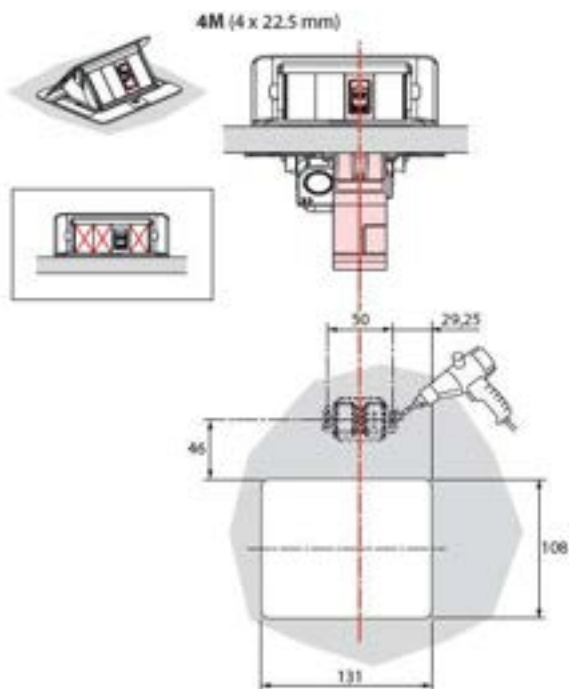


Installation kit USB/micro USB with retractable cords :

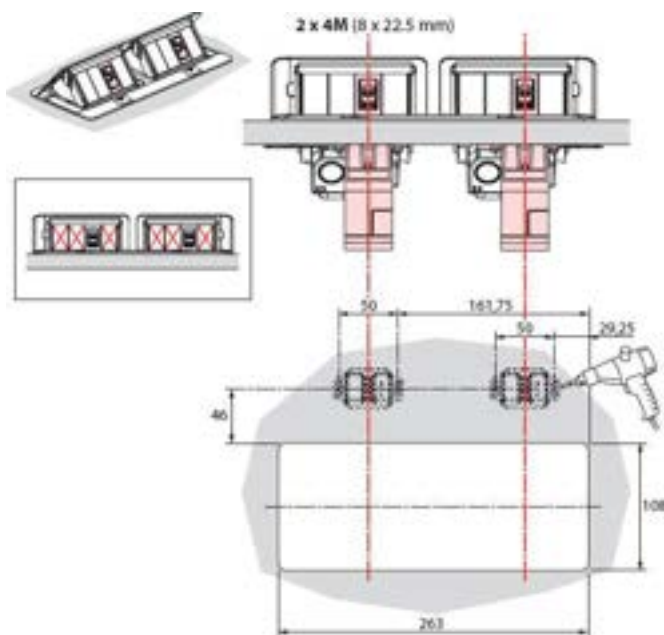


2 INSTALLATION (continued)

Example to fix installation kit on Pop-up (4 mod.):



Example to fix installation kit on Pop-up (8 mod.):



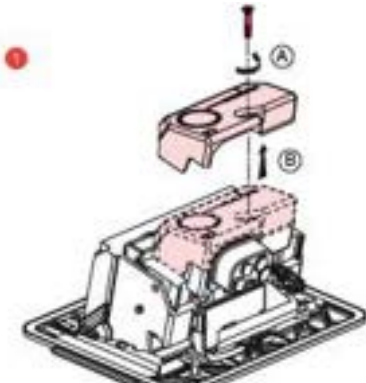
Pop-Up

Number(s) : 0 540 00 to 03, 0 540 05 to 08, 0 540 10 to 13, 0 540 15 to 18, 0 540 20 to 23, 0 540 26, 0 540 28, 0 540 31, 0 540 33 to 36, 0 540 40 to 43

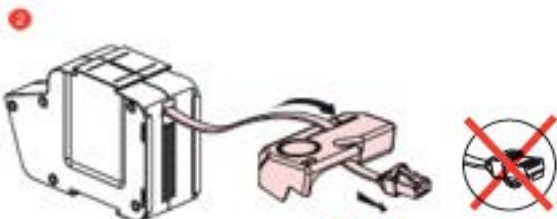
2 INSTALLATION (continued)

Installation kit RJ45 Cat.6 or USB/micro USB :

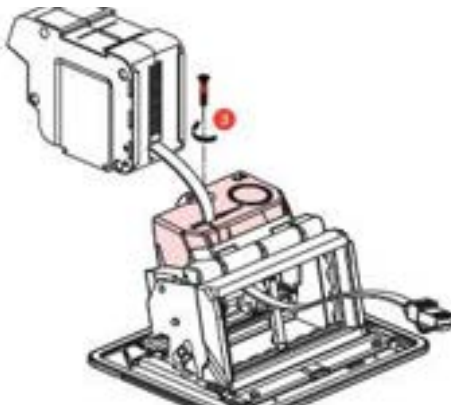
Remove the cable exit :



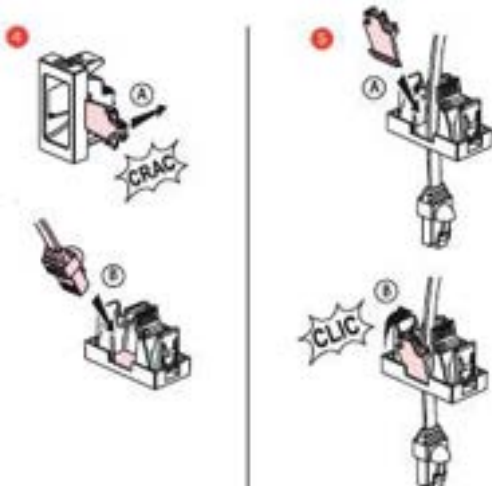
Pass the cables through the support on the correct direction



Reassemble the cover with its screw to finalize the installation



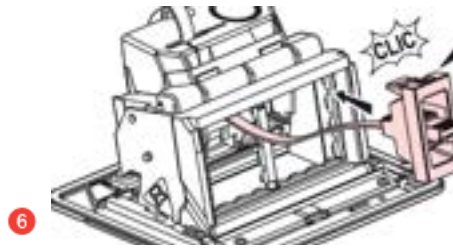
Separate cover (A) and pass the cable through the support 1 module (B). Finally, replace the cover.



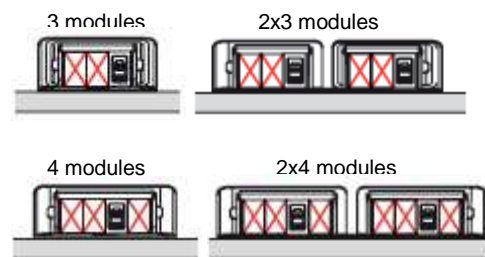
2 INSTALLATION (continued)

Installation kit (RJ45 Cat.6 or USB/micro USB) (continued) :

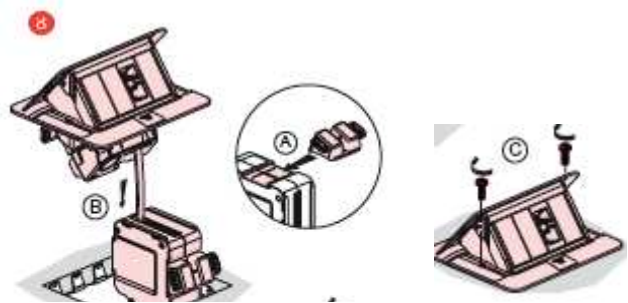
Clip on pop-up the support 1 module. Be careful, you must put it only on the third place on the support for all de pop-up



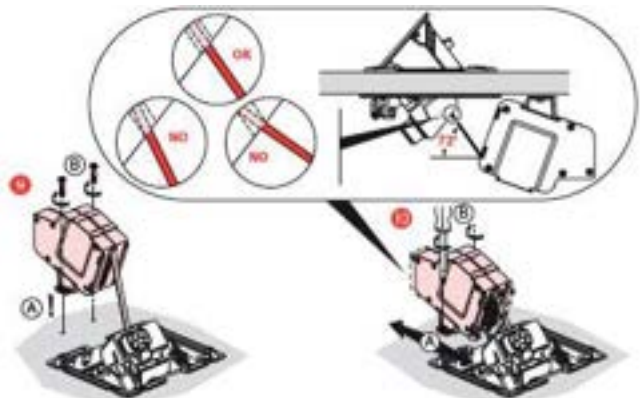
Note: put it only on the third place on the support for all de pop-up



A : clip the support on the retractable cords
B : pass the retractable cords on the desk
C : fix the pop-up with screws



- Fix the support/retractable cords under the desk respecting dimensions (look on page 6)



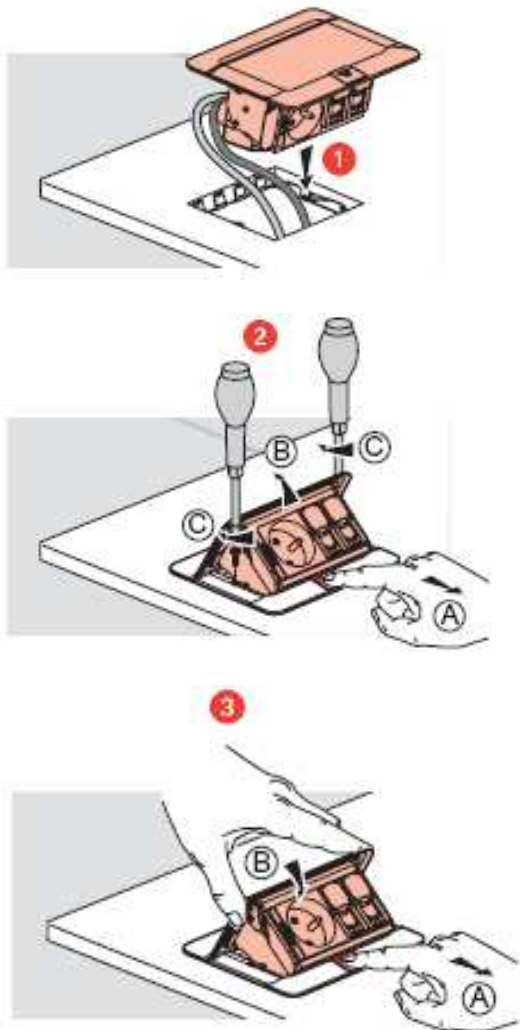
- Adjust the support/retractable (pop-up open) so that the ribbon cable is as aligned as possible (the maximum limit contact with the edges of the cover)

Pop-Up

Number(s) : 0 540 00 to 03, 0 540 05 to 08, 0 540 10 to 13,
0 540 15 to 18, 0 540 20 to 23, 0 540 26, 0 540 28, 0 540 31,
0 540 33 to 36, 0 540 40 to 43

2 INSTALLATION (continued)

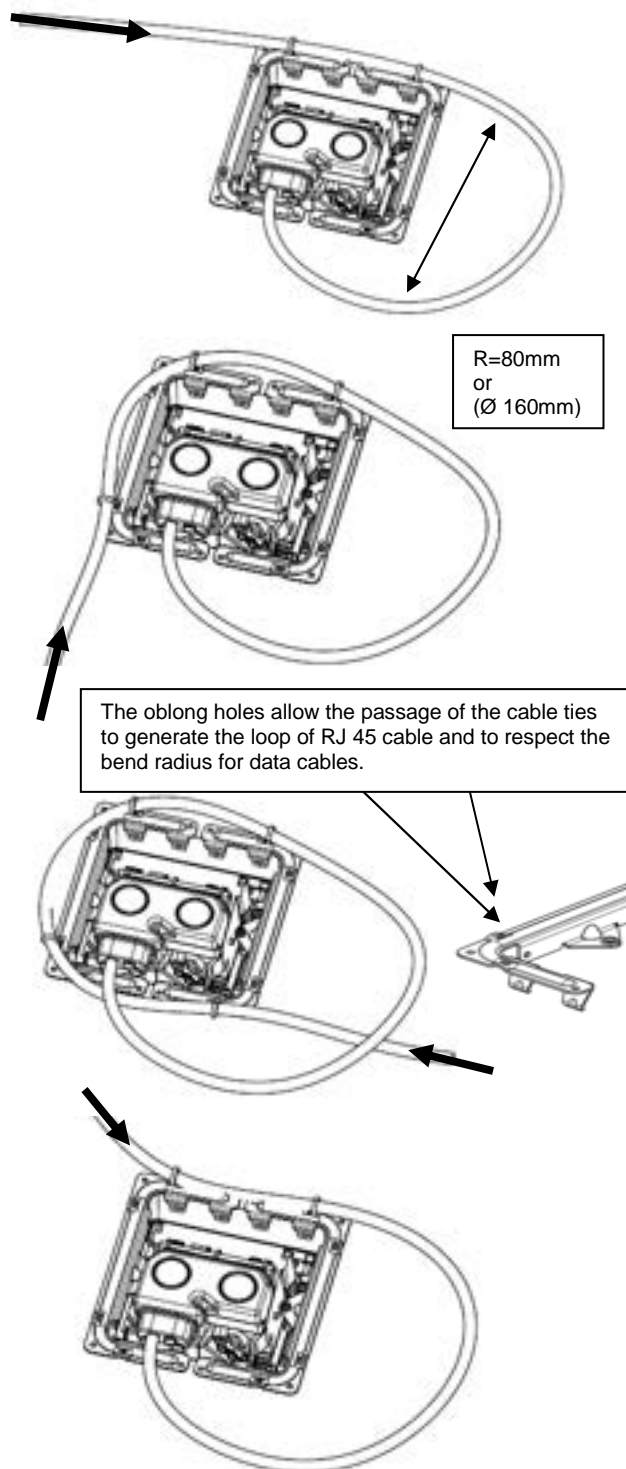
Installation of Pop-up on the desk or on the raised floor by screwing on the fixation supports



2 INSTALLATION (continued)

Positioning of data cables on the raised floor:

To respect the bend radius for data cables, it is necessary to fix the cables by respecting a radius higher than 80mm (curve of the cable at the exit on the kit and the points of fixing of the cable on the fixation supports).



Maximum cable for data in assembly in a raised floor : cable 6a F/UTP

Note : if installation with several cables, they must be attached together using a cable tie

Pop-Up

Number(s) : 0 540 00 to 03, 0 540 05 to 08, 0 540 10 to 13,
0 540 15 to 18, 0 540 20 to 23, 0 540 26, 0 540 28, 0 540 31,
0 540 33 to 36, 0 540 40 to 43

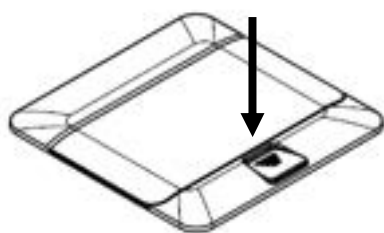
3 TECHNICAL CHARACTERISTICS

Opening of the Pop-up

In position closed, the Pop-up is locked



Press on the button to unlock the safety of the opening system



Pull the button



The trap door rises



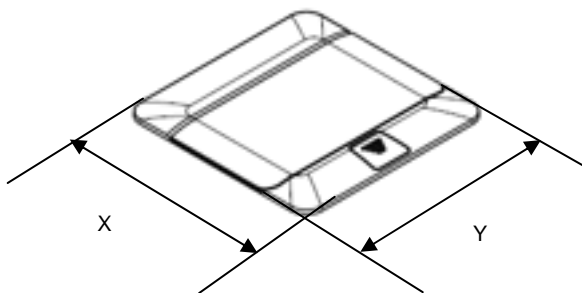
The button is positioned back automatically and the trap is locked when it is in high position (open)



To close again the Pop-up, it is necessary to press and pull to unlock.

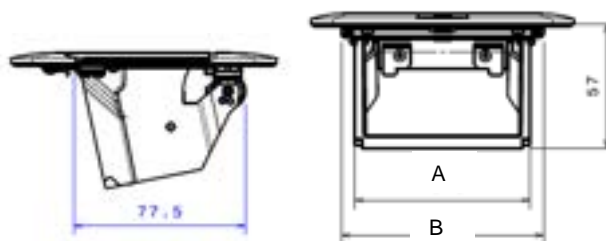
3 TECHNICAL CHARACTERISTICS (continued)

A : Dimensions of the Pop-up:



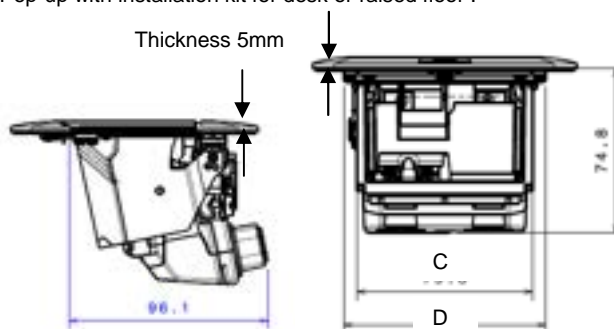
| | X(mm) | Y(mm) |
|---------|-------|-------|
| 3 mod | 120 | 120 |
| 4 mod | 120 | 142.5 |
| 2x3 mod | 120 | 230 |
| 2x4 mod | 120 | 275 |

Pop-up (empty):



| | A(mm) | B(mm) |
|---------|-------|-------|
| 3 mod | 79.8 | 92 |
| 4 mod | 102.3 | 114.5 |
| 2x3 mod | 189.8 | 202 |
| 2x4 mod | 231.6 | 247 |


Pop-up with installation kit for desk or raised floor :



| | C(mm) | D(mm) |
|---------|-------|-------|
| 3 mod | 79.8 | 92 |
| 4 mod | 102.3 | 114.5 |
| 2x3 mod | 189.8 | 202 |
| 2x4 mod | 231.6 | 247 |

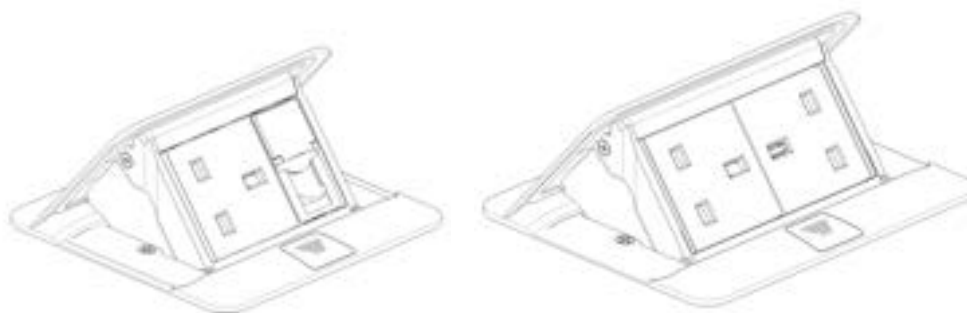
3 TECHNICAL CHARACTERISTICS (continued)

B : Table of compatibility of equipment which can be installed.

| Type of sockets | Modules |
|---|---|
| Mosaic & Arteor |  |
| RJ 1 & 2 modules Only to use in raised floor or desk |  |
| Low voltage socket |  |

Please note that:

- for unswitched british standard socket you have to intall it at 90°



- for switched british standard socket, you have to install the mechanism at 180°.



3 TECHNICAL CHARACTERISTICS (continued)

C : Classification for Pop-up standard:

Standard NFC 61-314 / EN 60 670-1 / EN 60 670-23)

| | |
|---|----------------------------|
| Rated voltage | 250 V~ |
| To earth the system | R < 0,05 Ohms |
| Protection against mechanical impact: | IK07 |
| Degrees of protection provided by enclosure: | IP30 open - IP40 closed. |
| Resistance to vertical load applied through small surface area: | 1500N open - 3000N closed. |
| Insulation resistance | U=500V - R > 5M Ohms |
| Electric strength : | 2000V |

Installation on the floor : to be installed on floor subjected to a dry treatment.

Material :
Material halogen free, fire proofed and no propagator of the flame.
Resistant to corrosion and to the changes of temperature

| Finishes | Material |
|-----------------|--|
| Brass | Brass material |
| Aluminium | Aluminium material |
| Stainless steel | Zamak nickel coating |
| Black | Aluminium material with black painting |
| White | Aluminium material with white painting |

Installation :
On the floor (raised floor or concrete floor) (do not use data with concrete)
In the furniture (on the desk)

Safety :
You must earth the system

Assembly :
Position the sockets directly in the supports (the installation is done by before)
Remove the support, using a tool
Open the cover by simple pressure on button located on the surface

Cleaning :
The exterior should only be cleaned using a damp cloth (to avoid the contact with the active parts)
Do not use grittings

4 EXAMPLES TO USE

Example with wiring accessories on Pop-up :

In Pop-up 3modules :

1 socket German standard 2P+E + 1 RJ 45 socket Cat6 UTP



In Pop-up 4modules :

2 sockets German standard 2P+E



Or 1 socket German standard 2P+E + 2 RJ 45 sockets Cat6 UTP



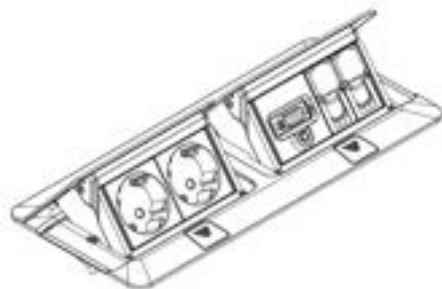
In Pop-up 2x3modules :

1 socket German standard 2P+E + 1 blanking plate
+ 1 RJ 45 socket Cat6 UTP + 1 HD 15



In Pop-up 2x4 modules :

2 sockets German standard 2P+E + 1 HD 15 + 2 RJ 45 sockets
Cat6 UTP



4 EXAMPLES TO USE