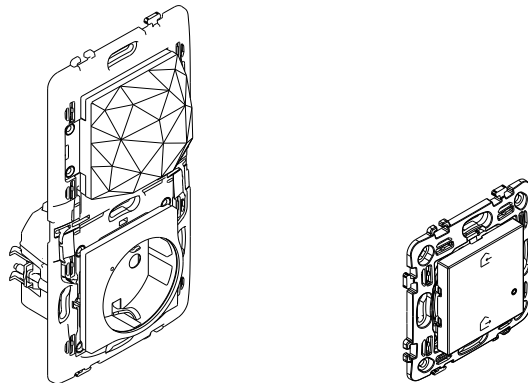


Classia
Gateway+connected power socket

RW4501C - RA4501C - RG4501C



Use

This pack enables you to create a connected installation in your home. It can be used to control lighting, roller shutters and electrical equipment plugged into connected sockets:

- using your smartphone and the Home + Control app
- using voice assistants
- from the general control at the entrance to your home

Comprises:

• **A Control socket (Zigbee relay/WiFi)**

Installation in 1-gang box 40 mm deep (minimum), instead of a standard socket outlet. Claw and/or screw fixing.
 Connected socket which can be controlled by a wireless lighting control and/or remotely via your smartphone.
 The socket can be used to measure instantaneous and total consumption of the connected device, which can be viewed on the Home + Control app.
 One-piece mechanism (grid + mechanism).

• **A wireless general control, used to control leaving home/coming**

home scenes involving lights, roller shutters and connected sockets.
 - Fixes directly on the wall or screws onto a flush-mounting box. Multigang versions can be combined with other wiring accessories.
 - Fits on a piece of furniture (movable).

Range

Designation	Cat. Nos.
Connected relay socket. Supplied complete with finishing plate and site protection covers. Equipped with a RESET button (hidden) used to return to factory settings.	<input type="checkbox"/> RW4501C <input type="checkbox"/> RA4501C
Additional wireless general control. Supplied complete with battery, finishing plate. Equipped with an LED indicator (configuration) and a RESET button (hidden) used to return to factory settings. Repositionable self-adhesive fixings supplied.	<input checked="" type="checkbox"/> RG4501C

Colours code:

- White
- Aluminum
- Black

Connection

Control socket

Terminal type: automatic
 Terminal capacity: 2 x 2.5 mm²
 Stripping length: 11 mm

Technical characteristics

- Mechanical characteristics

Control socket:

Protection against impacts: IK 04
 Protection against solid bodies and/or liquids: IP 40 assembled product

General control:

Protection against impacts: IK 02
 Protection against solid bodies and/or liquids: IP 20 without rocker plate and plate IP 40 for assembled product

- Material characteristics of control socket

Mechanism casing: PC

Halogen-free

UV resistant

Self-extinguishing: 850°C/30 s for insulating parts holding live parts in place.
 650°C/30 s for the other insulating components.

- Material characteristics of general control

Mechanism casing with grid: Fibreglass-reinforced (10%) PC

Halogen-free

UV resistant

Self-extinguishing: 650°C/30 s

- Electrical characteristics of control socket

Voltage: 110/230 V~
 Current: 16 A
 Power: 3680 W max.
 Frequency: 50/60 Hz
 Standby consumption: 0.1 mA

WiFi technology 2.4 GHz (13 channels) - IEEE 802.11 b/g/n

ZigBee radio technology frequency: 2.4 GHz to 2.4835 GHz
 Wireless mesh network, self-adaptive and secure (AES 128), conforming to standard IEEE 802.15.4 (LR-WPAN)

Power level: < 100 mW
 Range: 200 m of unobstructed space
 10 m recommended between products indoors

Gateway+connected power socket

- Electrical characteristics of general control

Powered by a CR2032 - 3 V lithium battery (supplied)

Battery life: 8 years for 10 activations a day

ZigBee radio technology frequency: 2.4 GHz to 2.4835 GHz

Wireless mesh network, self-adaptive and secure (AES 128), conforming to standard IEEE 802.15.4 (LR-WPAN)

Power level: < 100 mW

- Climate characteristics

Storage temperature: 0° C to + 45° C

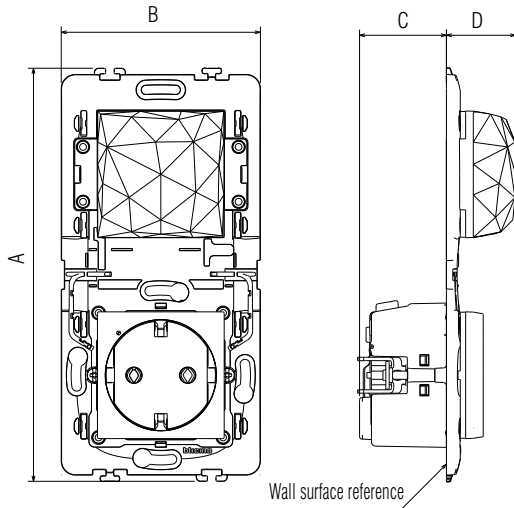
Usage temperature: +5° C to + 45° C

Standards and approvals

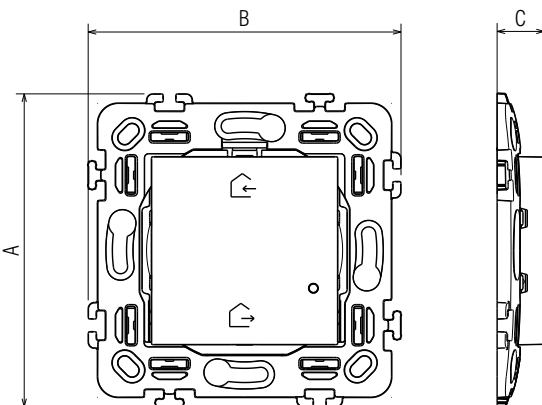
The undersigned, BTICINO, declares that the radio-electric equipment type (RW-RA-RG4501C) complies with directive 2014/53/EU.

The full text of the EU declaration of conformity is available on the following website: www.bticino.it/red

Overall dimensions (mm)



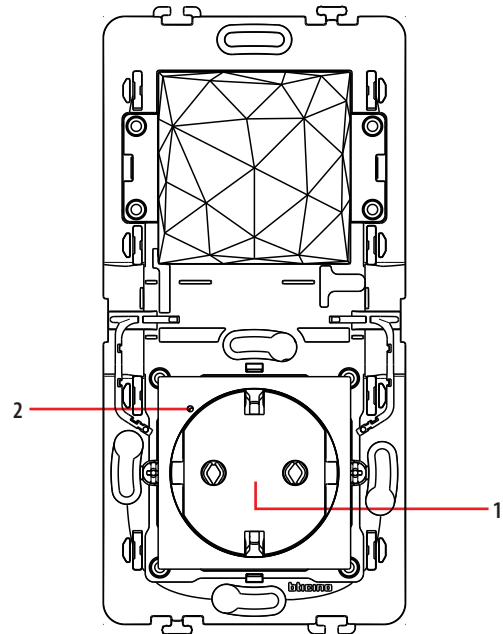
A	B	C	D
146	70,4	30,7	24,5



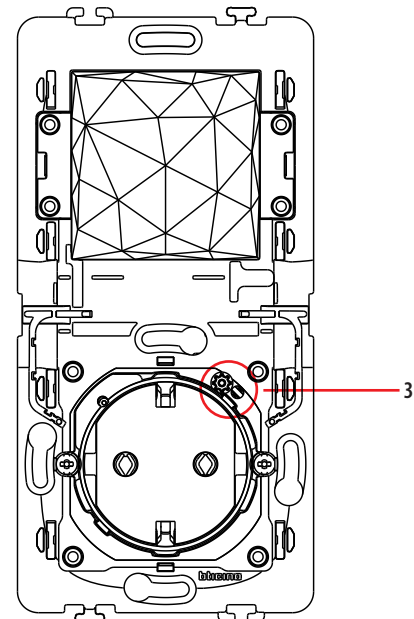
A	B	C
75	75	11,3

Operation

Front view



Front view without coverkey

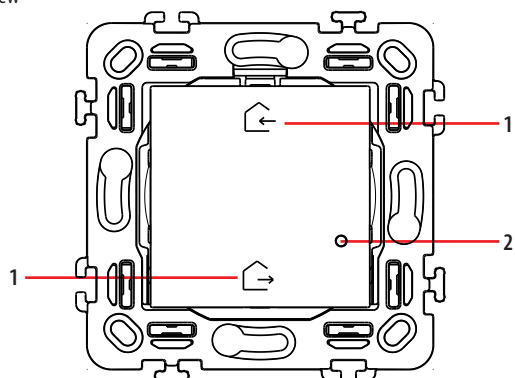


Legend

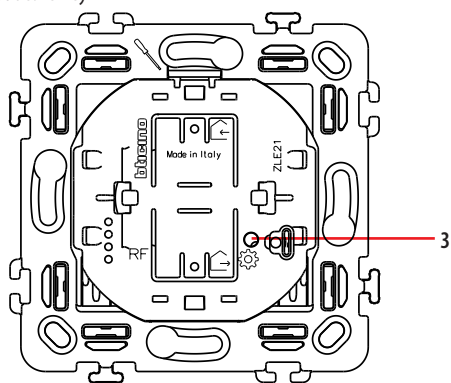
- 16 A connected socket outlet
Extra built-in protection in the event of overloads of more than 16 A
- LED indicator:
- useful during installation
- indicator function can be activated in the Home + Control app
- RESET button: used to return to factory settings

Operation

Front view



Front view without coverkey



Legend

1. Arrival scenario when pressed at the top:
By default, switches on the connected sockets
Can be customised with the Home + Control app
2. LED indicator:
- useful during installation
- when pressed, burst flashes red if the battery power is low
3. Leaving scenario when pressed at the bottom:
By default, switches off all the lights in the installation
Can be customised with the Home + Control app

Attention: The starter pack is pre-paired at the factory.
Never perform a factory RESET on the control socket and the wireless general control at the same time, as this may render them unusable.

Cleaning

Clean the surface with a cloth.
Do not use acetone, tar-removing cleaning agents or trichloroethylene.

Caution: Always test before using special cleaning products.

The plates must not be painted.



Take care to recycle the battery appropriately.

RAEE/WEEE: bticino.com/disposal